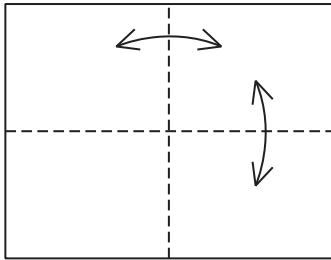
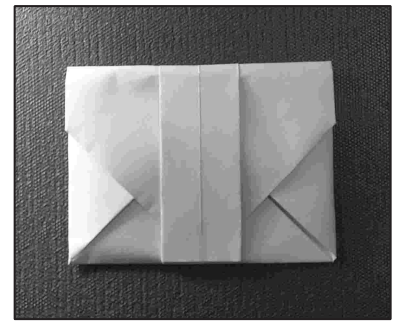


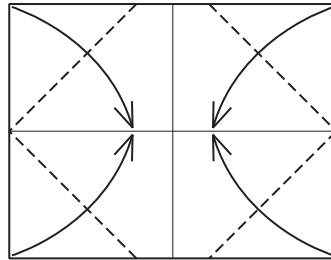
Ribboned Envelope

By Laura Kruskal

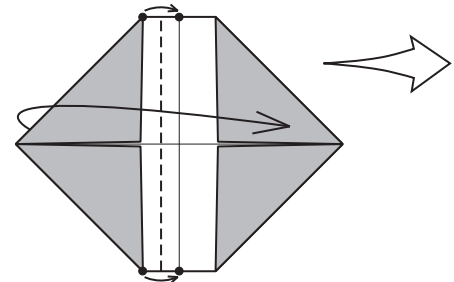
Heres a great envelope for sending holiday cards and thank you notes.



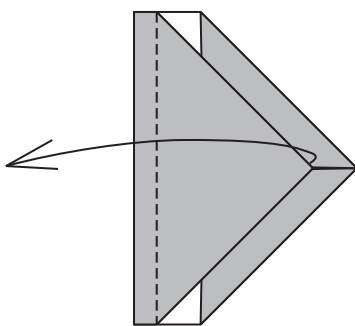
Valley-fold and unfold in half both ways.



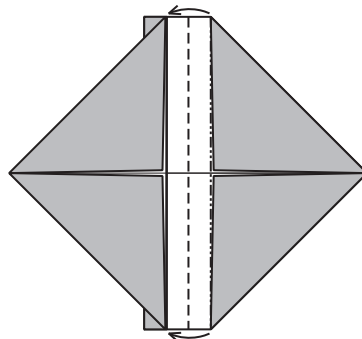
Valley-fold the corners to the horizontal center crease.



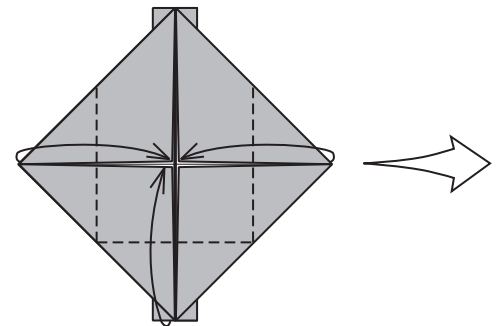
Valley-fold dot-to-dot. If you would like the ribbon to be color-changed, first turn the model over and then valley fold dot-to-dot.



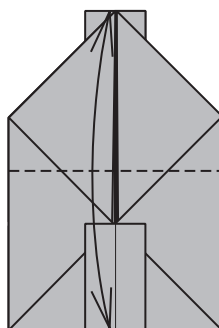
Valley-fold.



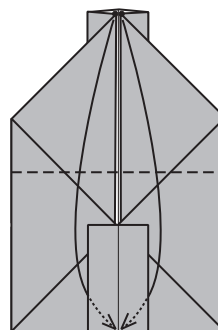
Repeat steps 3-4 on the right side.



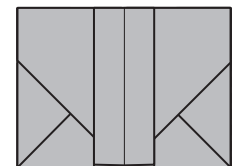
Valley-fold the two side corners to the center. Then valley-fold the bottom up as well.



Valley-fold the top down and unfold.



Valley-fold the top down again but this time lock the model by inserting the two flaps behind the nearest layer.



The Ribboned Envelope is all wrapped up.