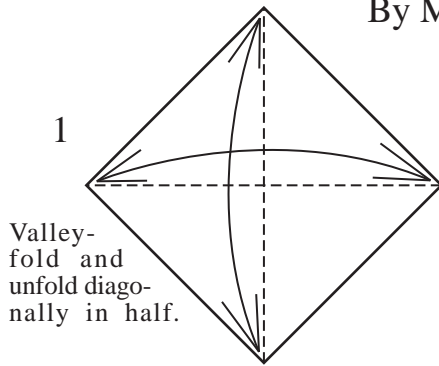
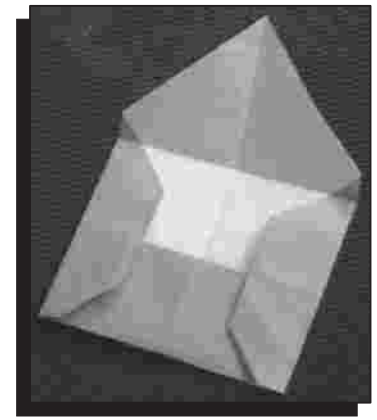
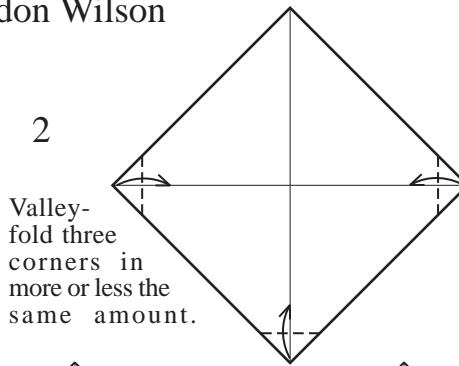


Easier Done than Said Envelope

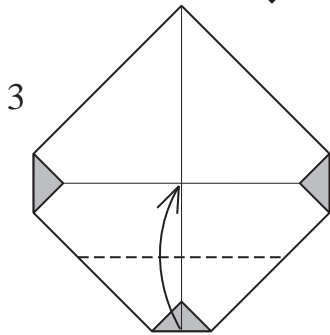
By Maldon Wilson



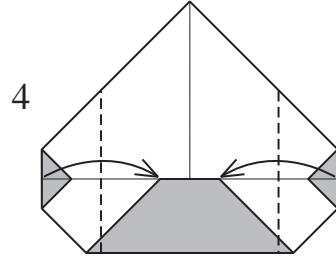
Valley-fold and unfold diagonally in half.



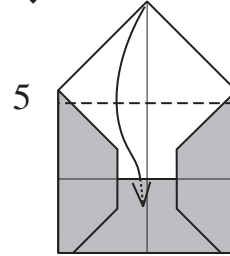
Valley-fold three corners in more or less the same amount.



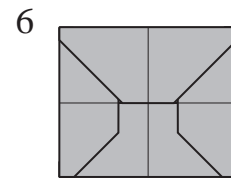
Valley-fold.



Valley-fold. Valley-fold.



Valley-fold the top flap sticking the end inside the envelope.



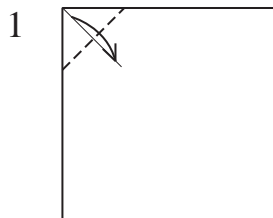
The completed Easier Done than Said Envelope.

Diagrammed by Jeremy Shafer from Maldon's sketches, 1997.

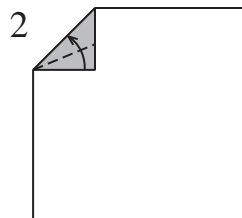
Kite Letterhead

By Jeremy Shafer ©1997

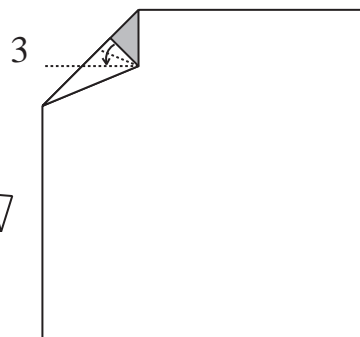
This model is great to fold on a windy day for if you let it go in the right wind, the kite will really fly.....away.



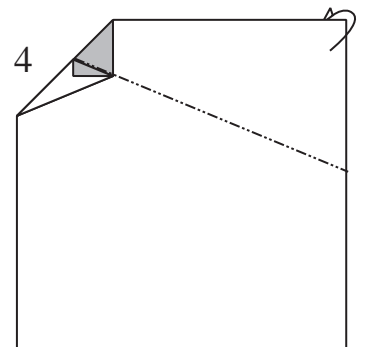
White side up. Valley-fold corner to taste... a bigger flap will make a bigger kite.



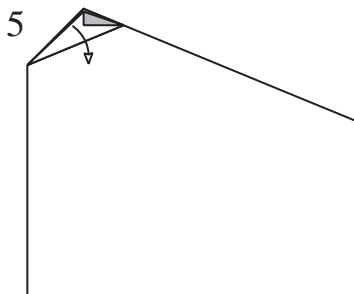
Valley-fold edge to edge.



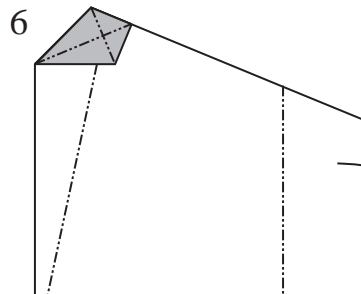
Valley-fold so the edge goes horizontal.



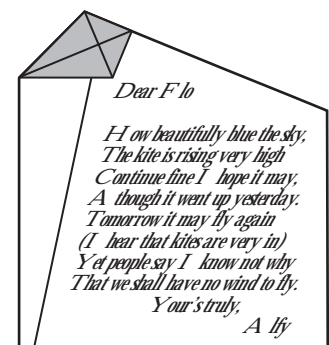
Mountain-fold the top behind.



Unfold the top flap.



Make sharp mountain creases that stick up defining the kite structure and the string. For a narrower letterhead, mountain-fold the right side behind.



The completed Kite Letterhead, ready to be lettered with writing.