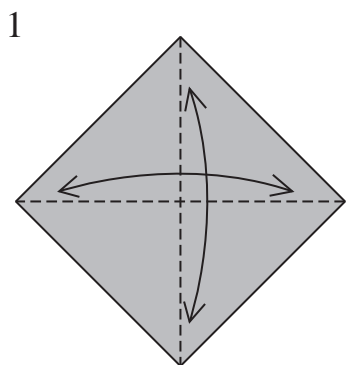


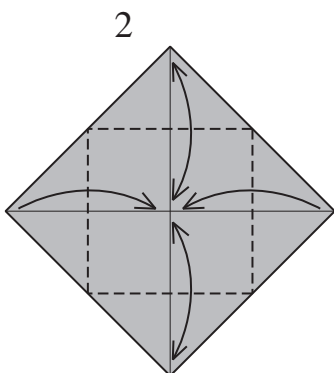
# Window Heart Card

By Jeremy Shafer

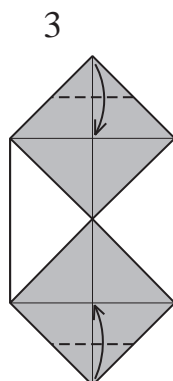
©1996



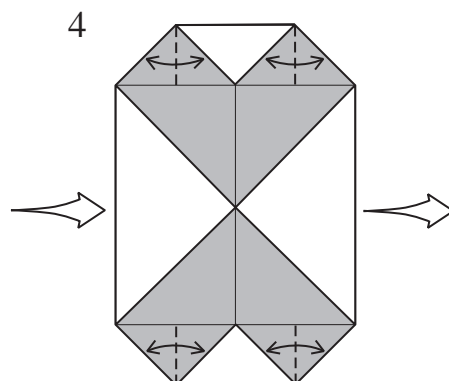
1  
White side up. Valley-fold and unfold diagonally in half both ways.



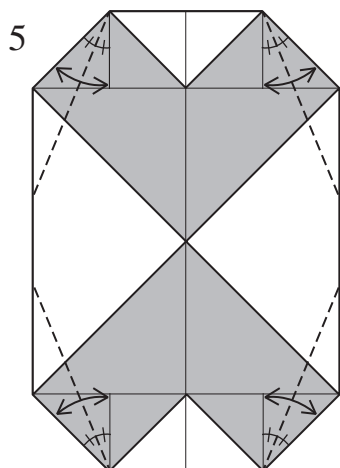
2  
Valley-fold the four corners to the center. Unfold the top and bottom corners.



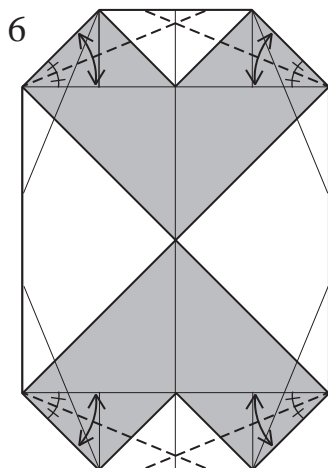
3  
Valley-fold and unfold.



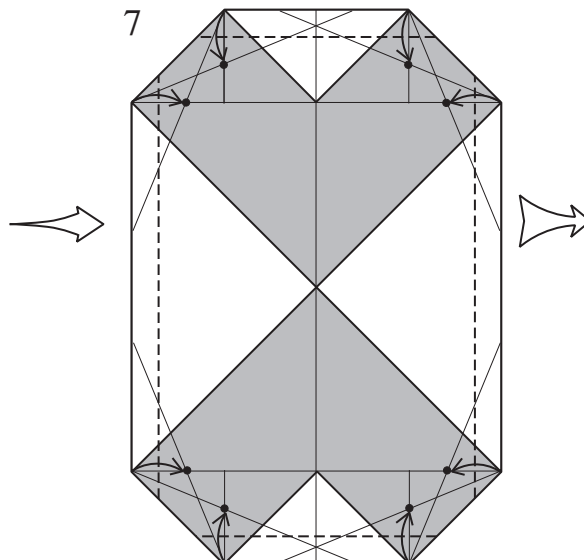
4  
You could stop here... "Abstract Heart Card," but if your heart is into this model, valley-fold and unfold.



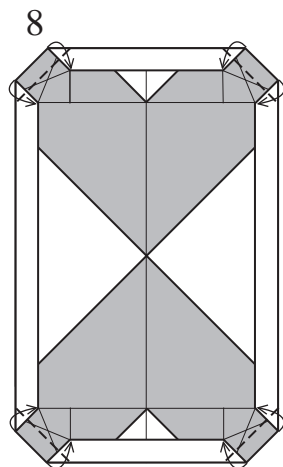
5  
Valley-fold and unfold to the existing crease.



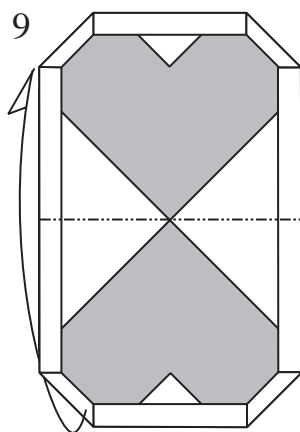
6  
Valley-fold and unfold to the existing crease.



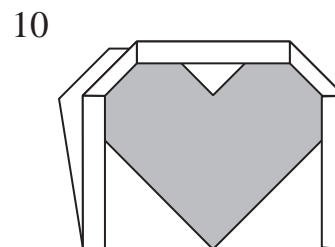
7  
Valley-fold to the intersections of the existing creases (i.e. to the round dots).



8  
Valley-fold to complete the rounding of the hearts.



9  
Valley-fold in half, making a card with a heart on each side.



10  
The completed Window Heart Card. Try folding it out of translucent paper for a stained glass effect.