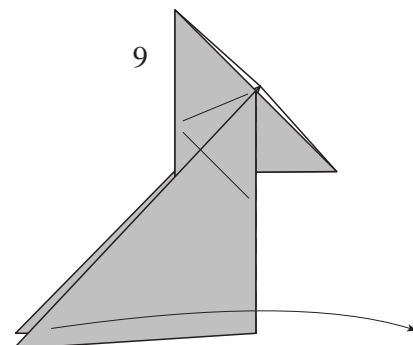
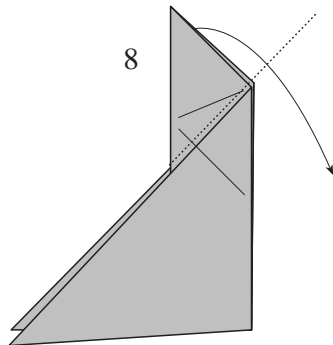
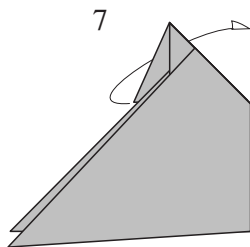
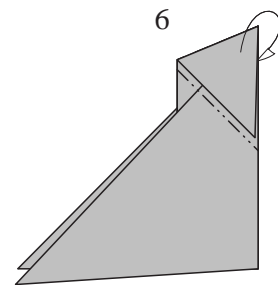
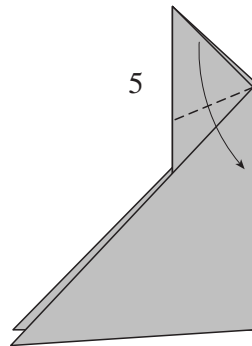
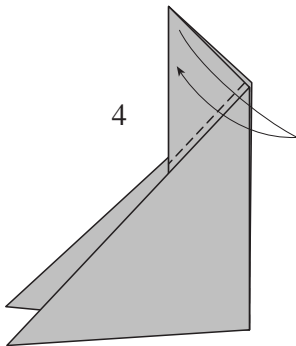
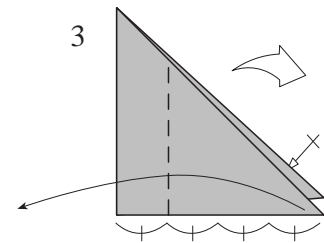
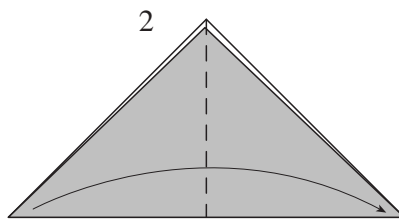
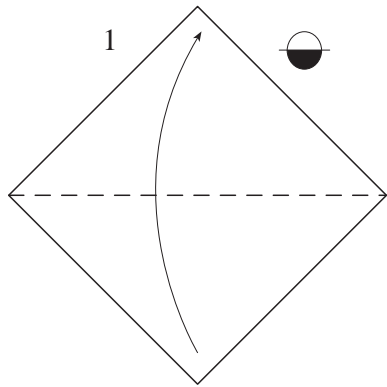
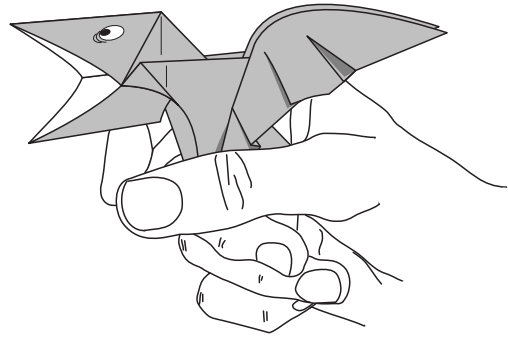
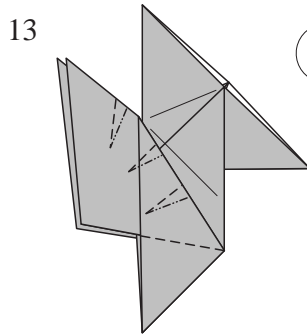
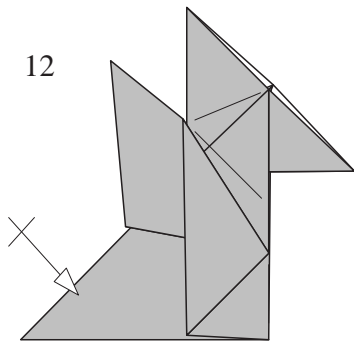
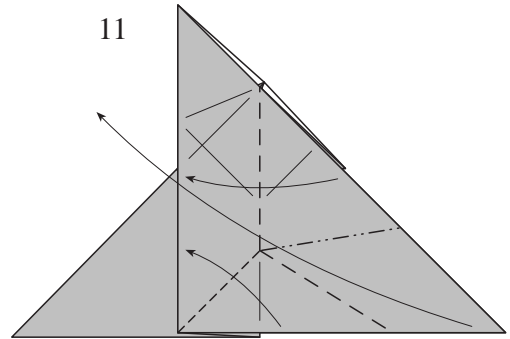
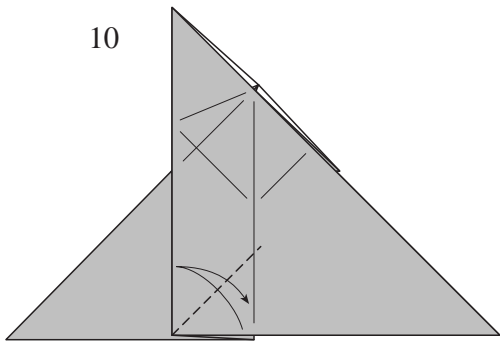


Pajarito

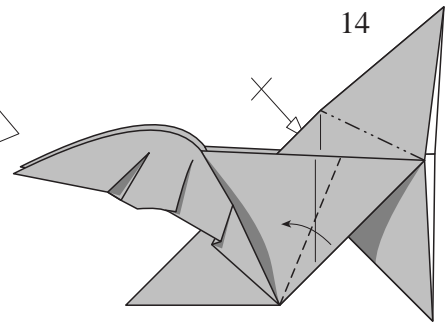
By Juan Gimeno

Variation of Jeremy Shafer's Baby Bird.

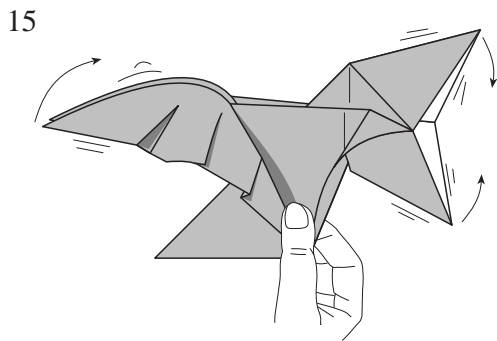




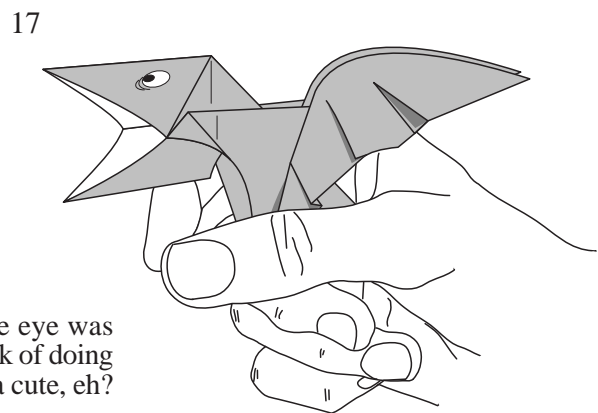
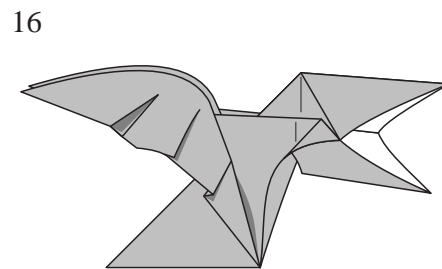
45°



Repeat steps 9-11 behind.



Pressing as shown, the baby bird will move its beak and flap simultaneously.



Editors note: Drawing on the eye was not my idea. I would never think of doing such a thing! ... But he is kinda cute, eh?