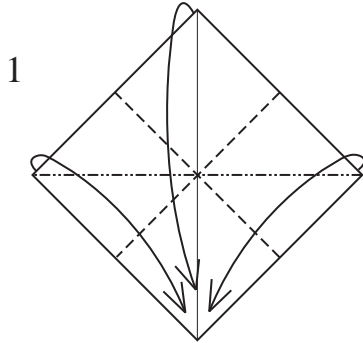
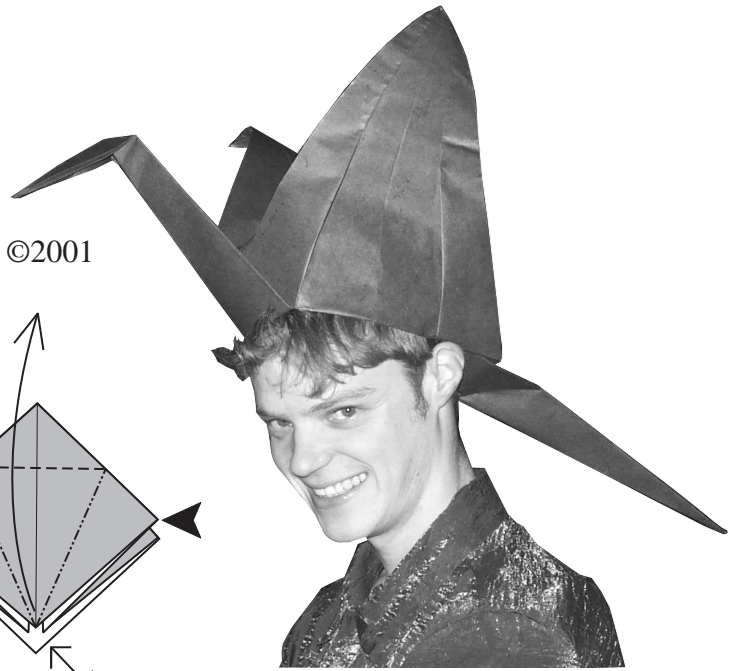


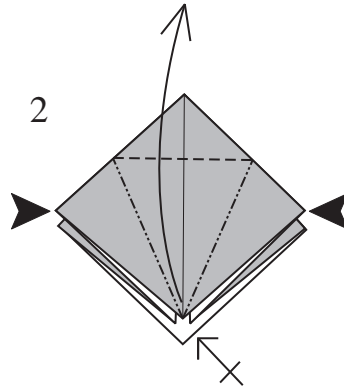
Crane Hat

Whenever you feel your mind is flying away, simply put on this hat and let it fly!

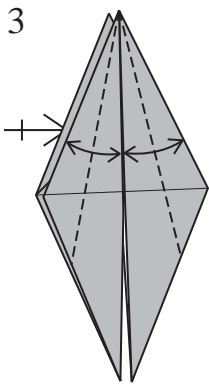
By Jeremy Shafer ©2001



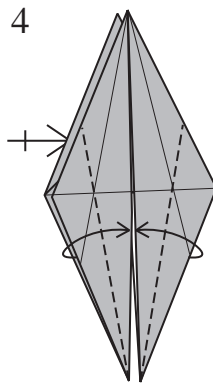
For a hat that will fit a human head, begin with a 28" square. Along existing creases, swing the three upper corners down to the lower corner. The following two steps show this fold in progress.



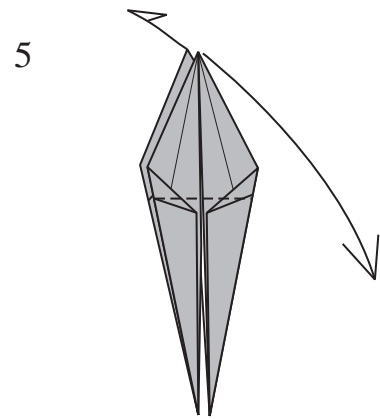
Fold a Bird Base.



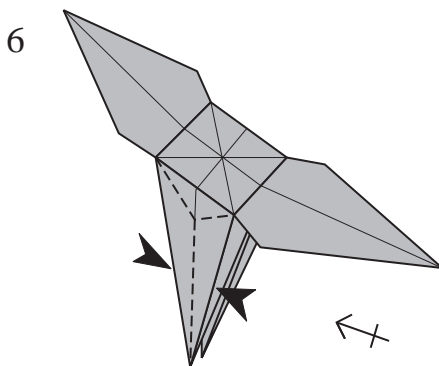
Valley-fold and unfold. Repeat behind.



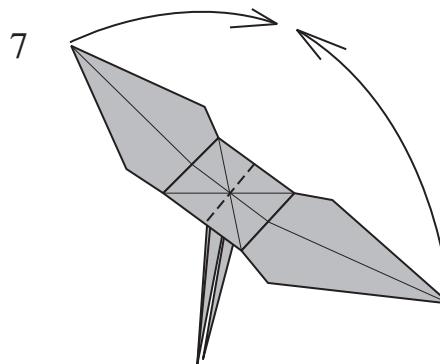
Valley-fold. Repeat behind.



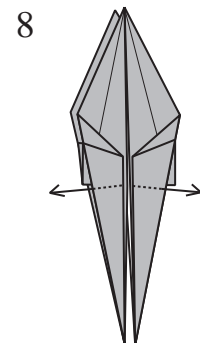
Spread apart the two flaps as far as the go. The middle squash flat.



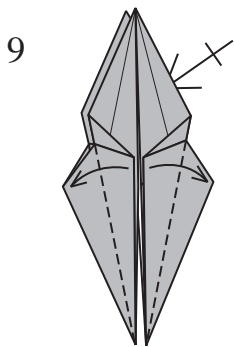
Squeeze the two flaps. Repeat behind.



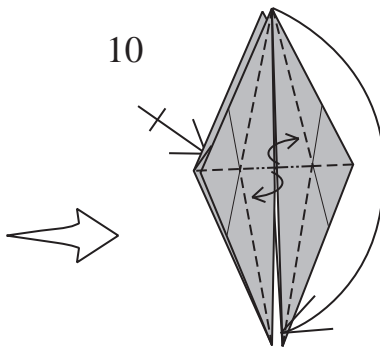
Valley-fold the wings together.



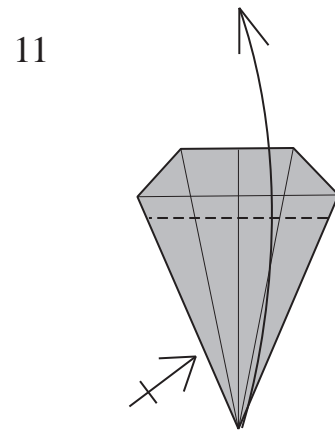
Reverse sink the inner layers to the outsides.



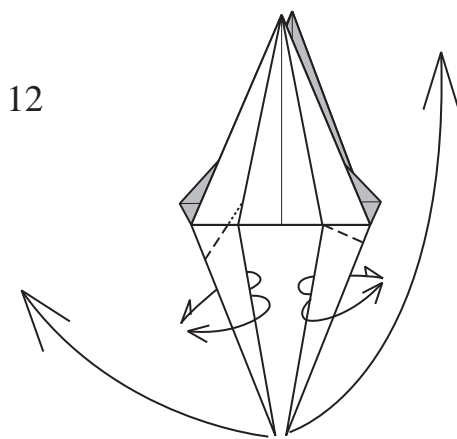
9
Valley-fold.
Repeat behind.



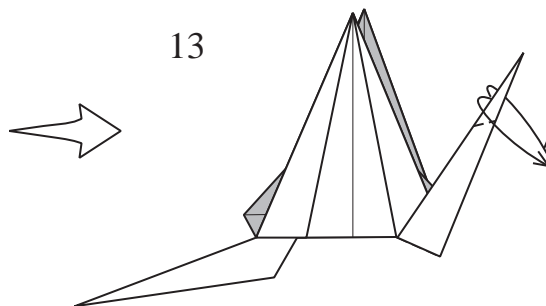
10
Valley-fold the flap down
while valley-folding the
inner edges apart.



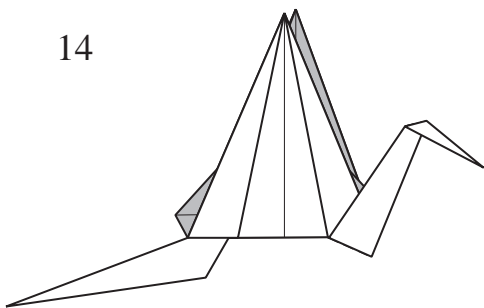
11
Valley-fold as far up
as the flap will go.
Repeat behind.



12
Outside-reverse the flaps.



13
Outside-reverse-fold to form head.



14
The Crane Hat is folded. Slip it on your
head as shown in the picture above.



Dragon Hat. This model is a spin-off of the Crane hat. It's basically the same dragon from my book, but with it's belly burrowed out. There are clearly many many more models that can be adapted into hats.... just fold them out of huge paper and burrow out a hole big enough to fit your head.