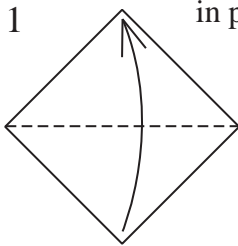
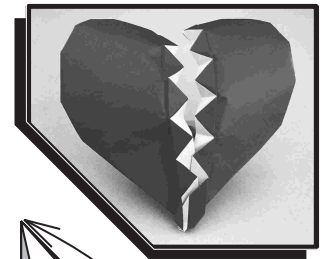


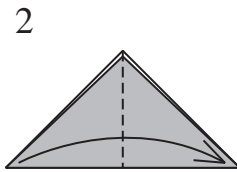
Broken Heart

©2001 Jeremy Shafer

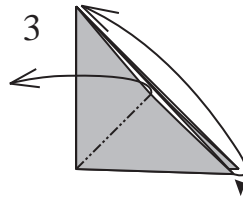
Look on the bright side, two is more than one! Besides, at least mathematically speaking, two halves are really no less wholesome than one whole. More to the point, if a jigsaw puzzle were never in pieces, it could never be put back together. It would be no fun!



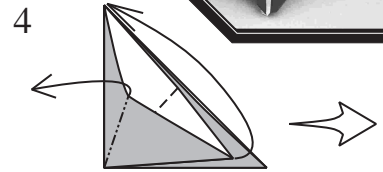
1
White side up, valley-fold diagonally in half.



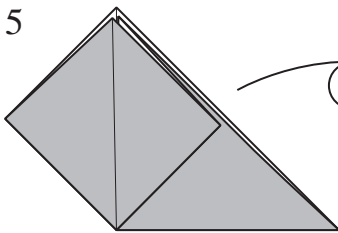
2
Valley-fold left to right.



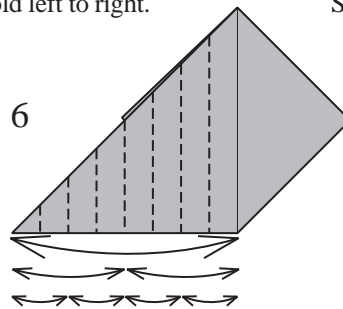
3
Squash.



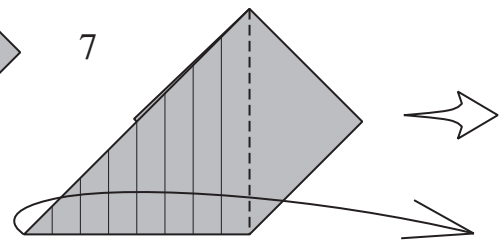
4
Squash in progress.



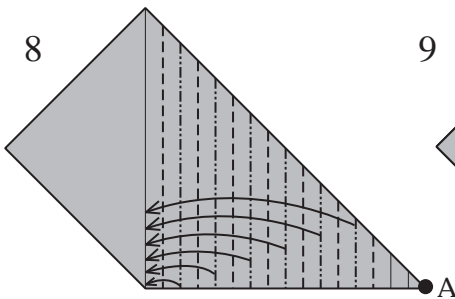
5
Turn over.



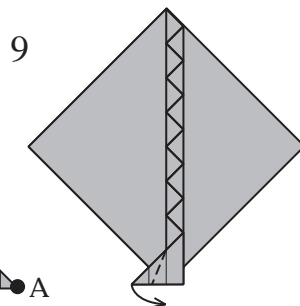
6
1.
2.
3.
Divide the bottom edge in to eight by following the sequence of valley-folds, 1, 2 and 3.



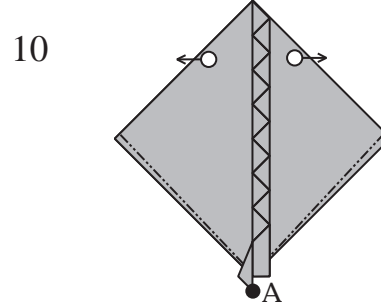
7
Valley-fold the left flap to the right.



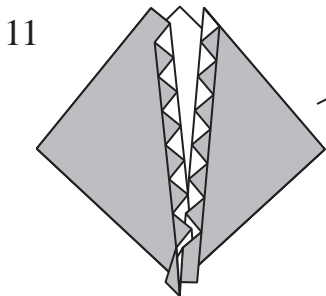
8
Pleat the paper using the existing mountain creases. The two rightmost existing creases don't get folded. Identify point A.



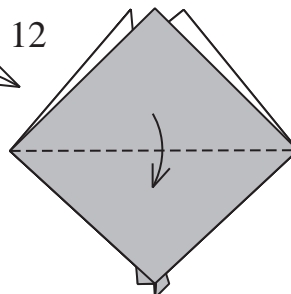
9
Valley-fold.



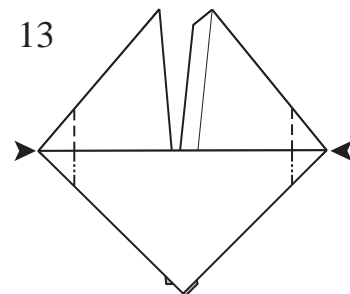
10
Holding at the white circles pull the two halves apart. **Note:** The pleats made in step 8 can be varied infinitely -- the more random the better, but to make the broken heart most convincing point A should end up in the above position.



11
The gaping crack is established. Turn over.

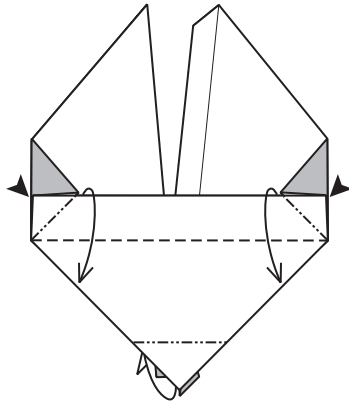


12
Valley-fold the front flap only.



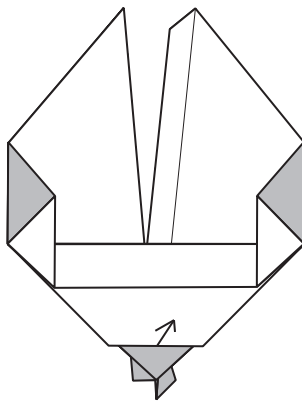
13
Inside reverse fold.

14



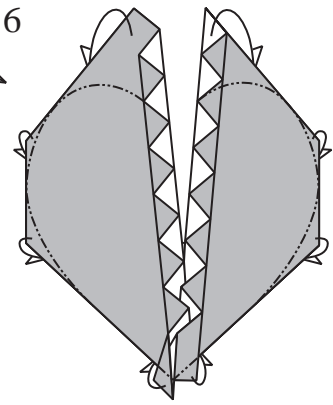
Valley-fold the middle edge downward squashing at sides. Mountain-fold the front bottom flap.

15



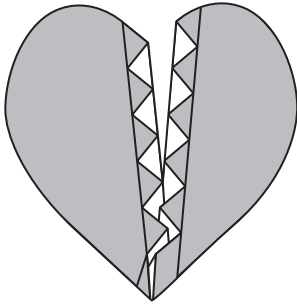
Bring the front bottom flap toward you. Use this flap as a stand for the heart.

16



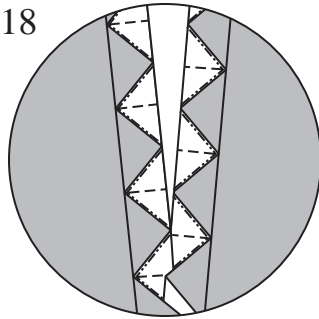
Round the heart to taste with a series of mountain folds.

17



The broken heart is complete.

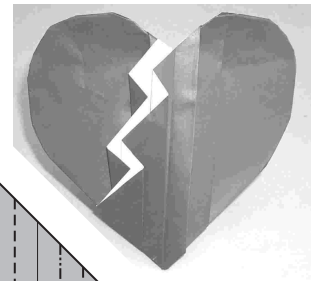
18



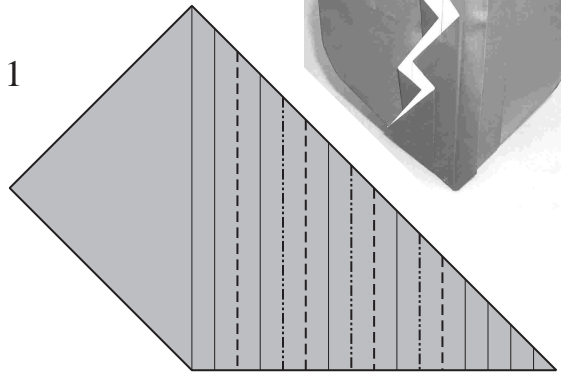
OPTIONAL: Further shape the heart by making the indicated folds, which won't lie flat.

Heart Struck by Lightning

This is really a broken heart in disguise.

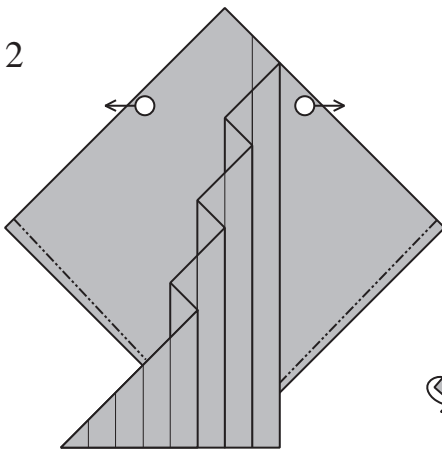


1



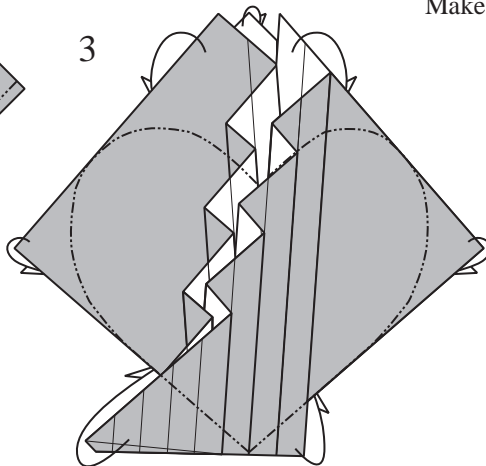
Begin with step 8 of the Broken Heart. Make the indicated mountains and valleys.

2



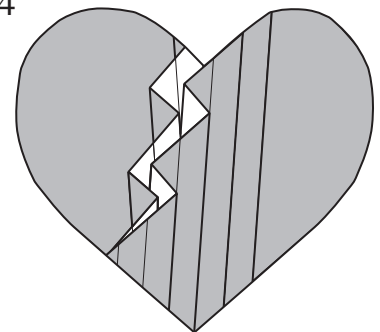
Holding at the white circles pull the two halves apart.

3



The lightning strikes! Round the heart to taste with a series of mountain folds.

4



As quick as a bolt of lightning, it's love at first strike!