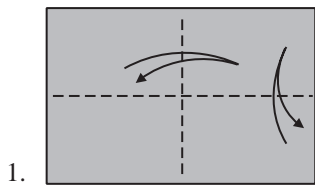
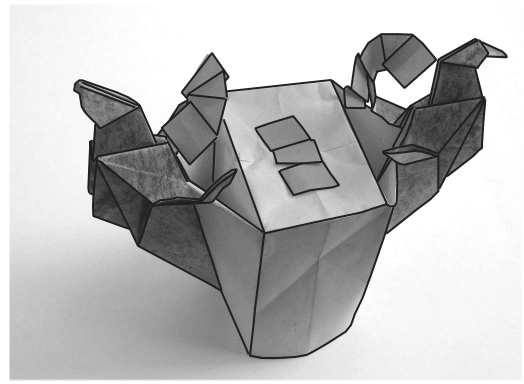
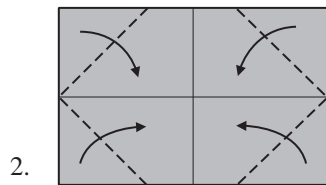


Playing the Cards.

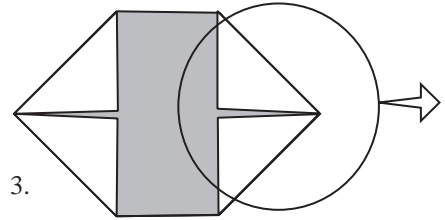
by Eugeny Fridrikh



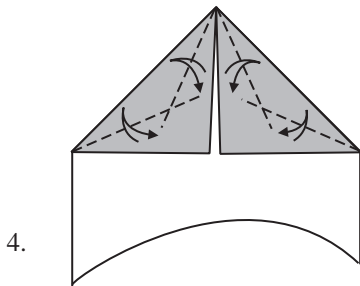
1. Start with 2:3 rectangular sheet of paper, Make two half folds



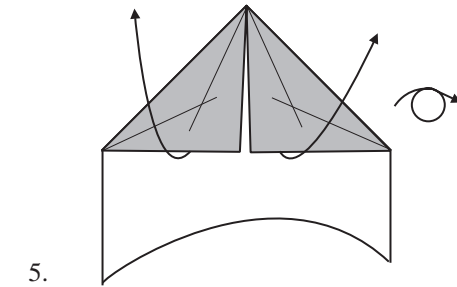
2. Fold the corners to the middle line made before



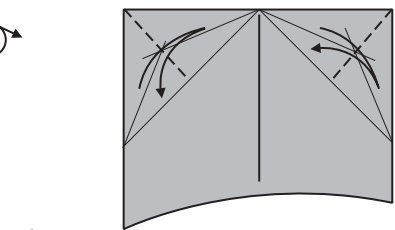
3. See the result and look on the right side



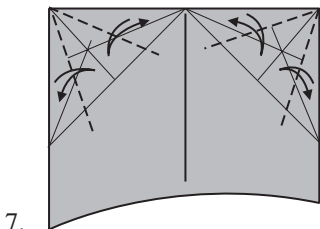
4. Enlarged view of right side. Precrease the diagonal valleys on the both triangles



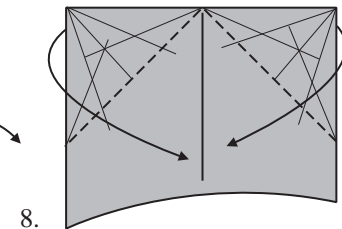
5. Make two valleys more



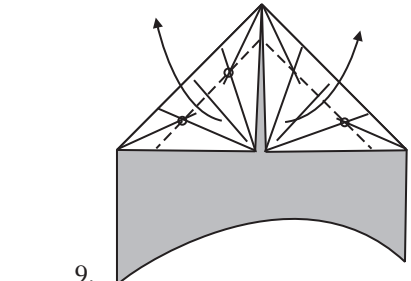
6. Unfold the corners upwards



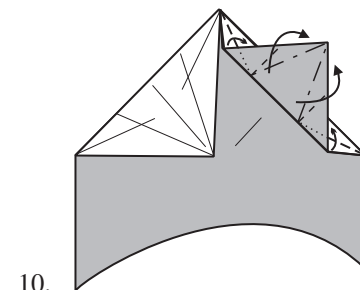
7. Precrease the valley-folds, dividing each corner in 4 parts



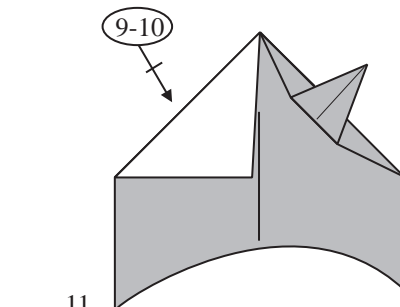
8. Make the airplane fold



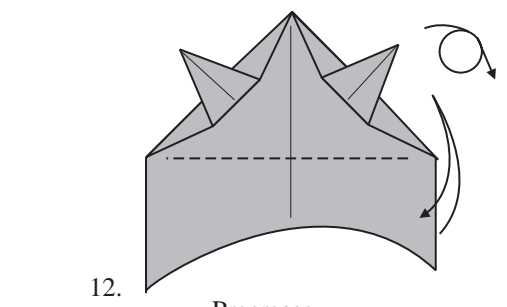
9. Valley-folds until the marked points



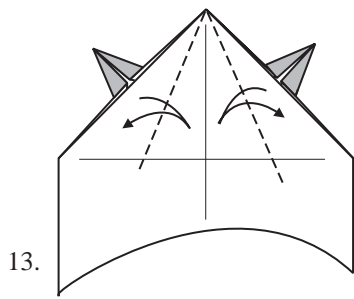
10. Swivel fold on existing creases.



11. Repeat 9-10 on the left corner

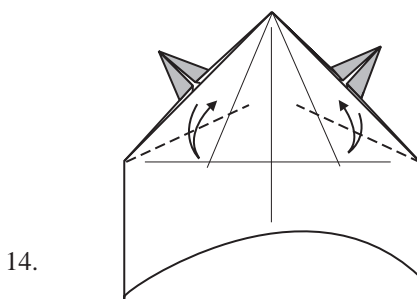


12. Precrease. Turn the model over.



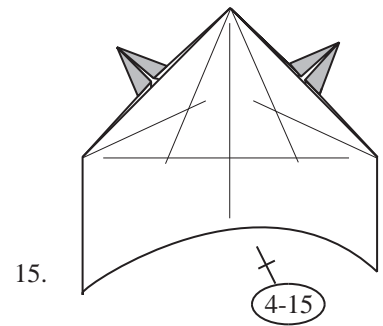
13.

Valley-fold und unfold.



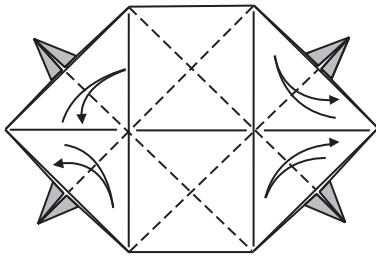
14.

Valley-fold und unfold.



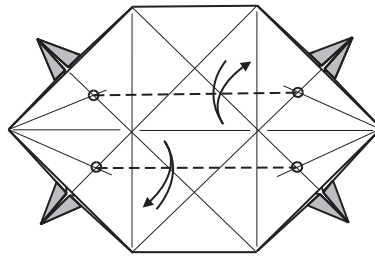
15.

Repeat steps 4-15 on the other end of the model.



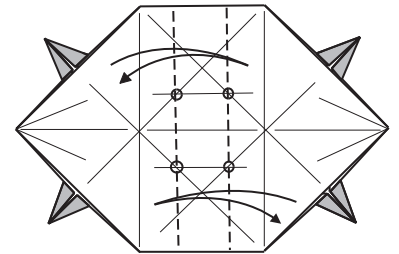
16.

Four valleys...



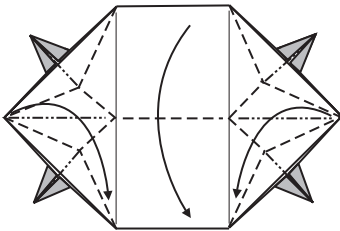
17.

Two valley-folds through marked points



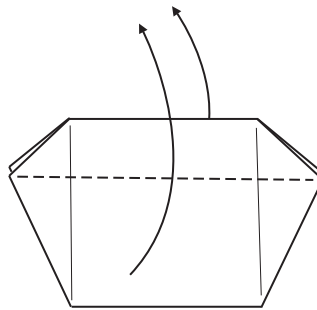
18.

...And more!



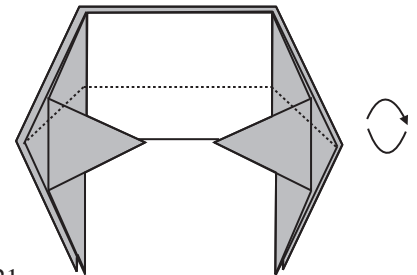
19.

Close the model, using the creases made in steps 13-17



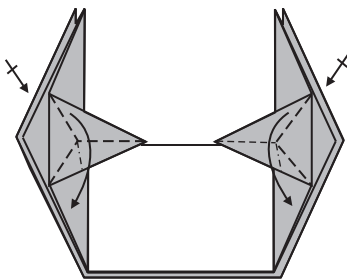
20.

Valley-fold up the front and rear flaps.



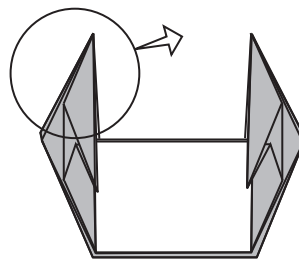
21.

Rotate the model 180°.



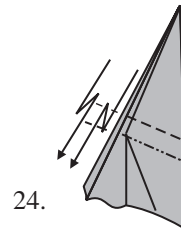
22.

Rabbit ears
Repeat behind



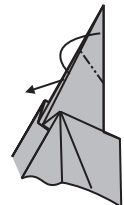
23.

Close-up of the head.



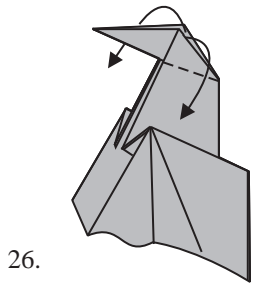
24.

Enlarged view of the left corner.
Pleat crease



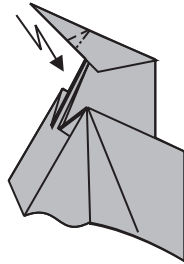
25.

Inside-reverse fold



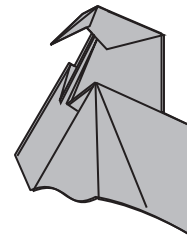
26.

Valley-fold front and rear flaps down.



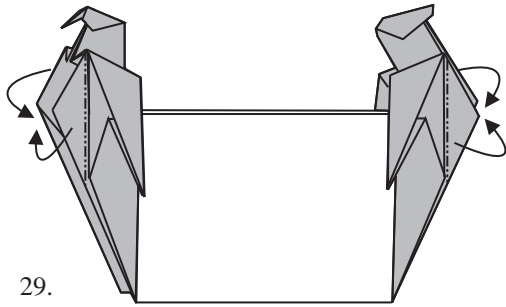
27.

Outside crimp-fold.



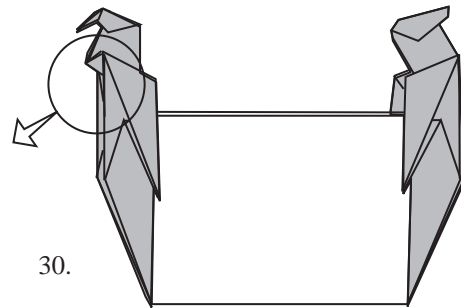
28.

Like this.



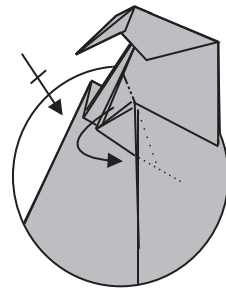
29.

Mountain-fold inside.



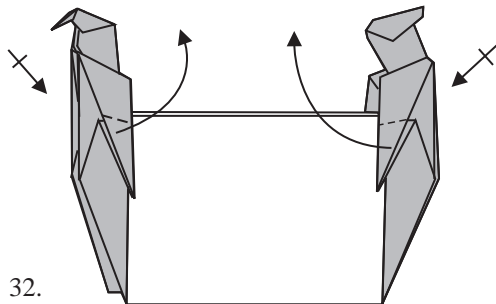
30.

Zero in on the person's neck.



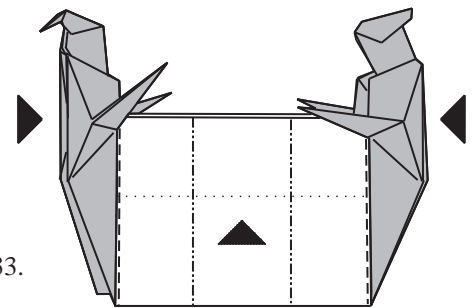
31.

Mountain-fold inside. Repeat behind.



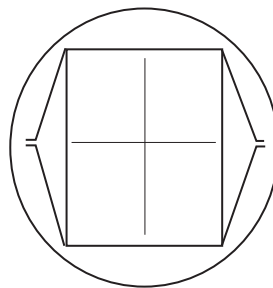
32.

Valley-fold the arms. Repeat behind.



33.

Let's make the playing table. Move the players towards each other, simultaneously pull the hidden paper upward.



34.

Top view of the table.