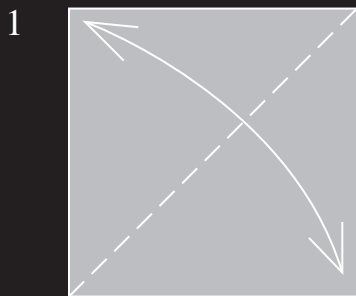
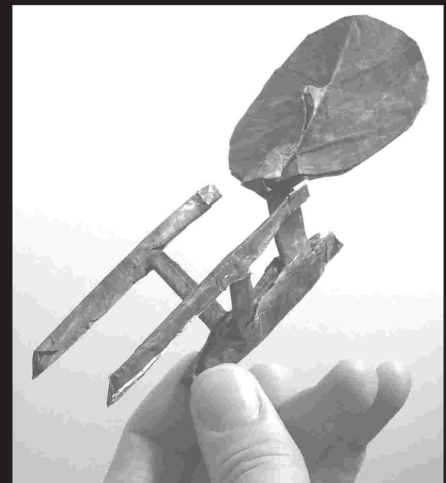


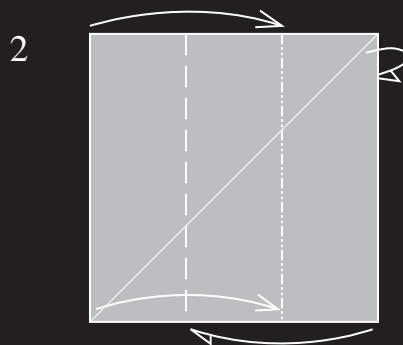
# Familiar Spaceship

By Jeremy Shafer ©1995

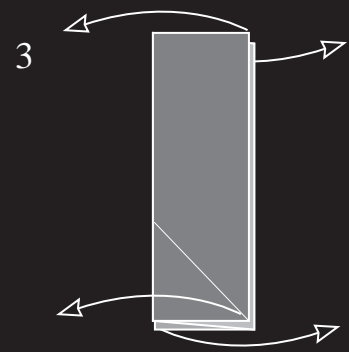
No copyright infringement in this model.  
It's just a little spaceship...**To boldly go where no fold has gone before!**



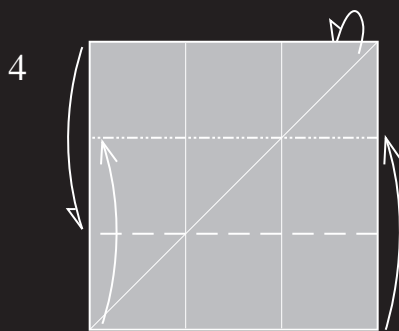
1 White side up. Valley-fold and unfold.



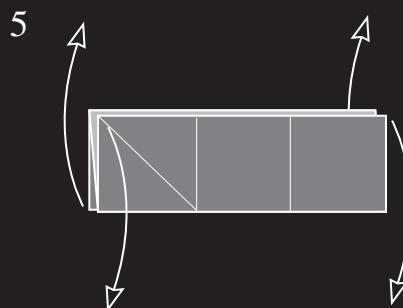
2 Fold into thirds.



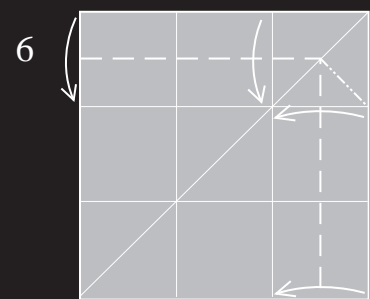
3 Unfold.



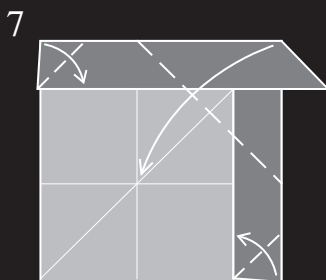
4 Fold into thirds the other way.



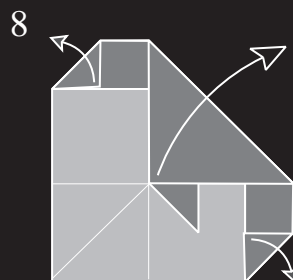
5 Unfold.



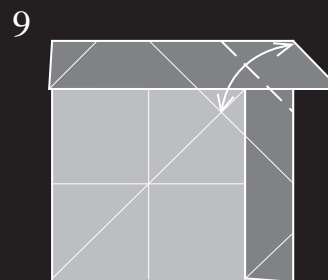
6 Rabbit-ear.



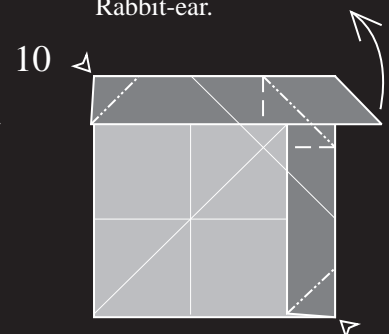
7 Valley-fold.



8 Unfold.

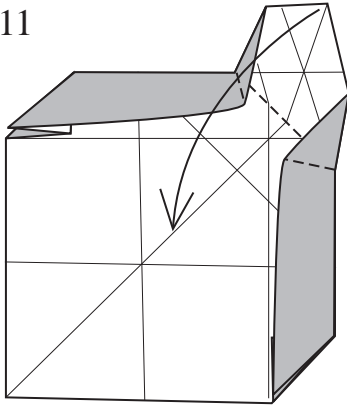


9 Valley-fold and unfold.



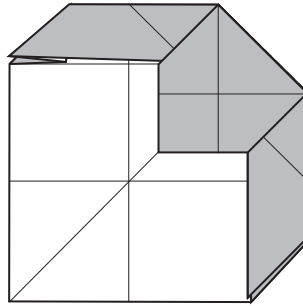
10 Reverse-fold two corners. Lift the third corner, and spread it apart, forming the valley folds as you move the corner toward the center.

11



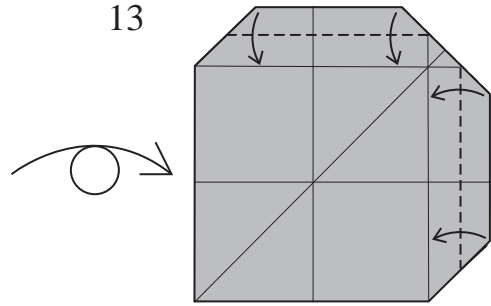
Flatten the corner as shown.

12



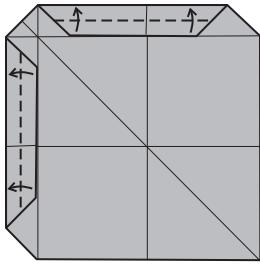
Turn over.

13



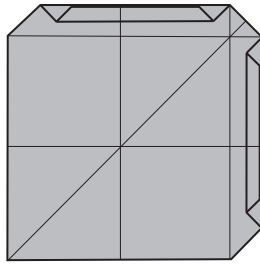
Valley-fold.

14



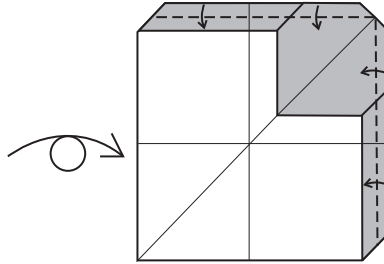
Valley-fold.

15



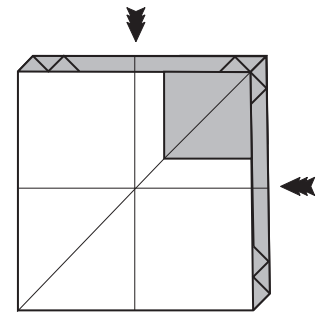
Turn over.

16



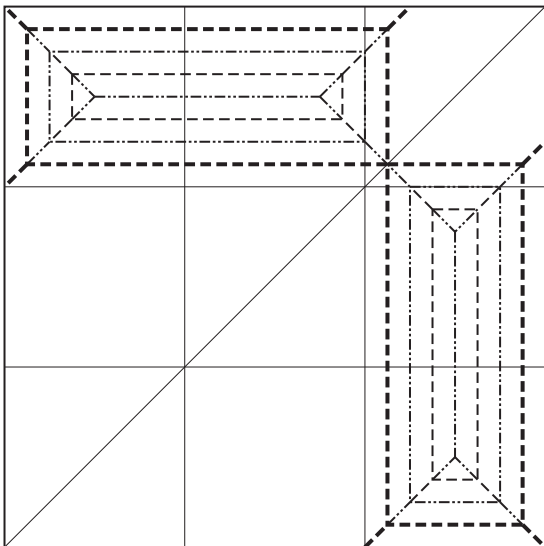
Valley-fold.

17



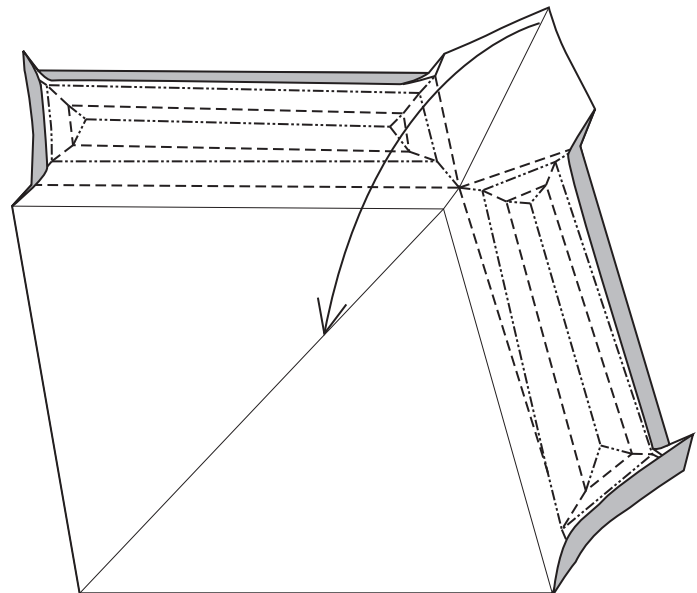
Pleat-sink. To do this, take a deep breath and completely unfold the model.

18



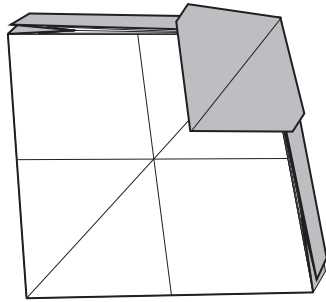
Starting with the boldly diagrammed valleys, make the indicated folds along the existing creases.

19



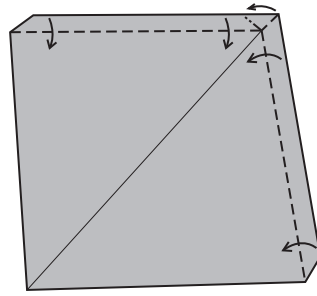
Pleat-sinking in progress.

20



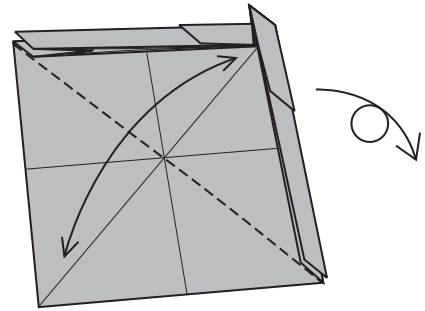
**Turn over.**

21



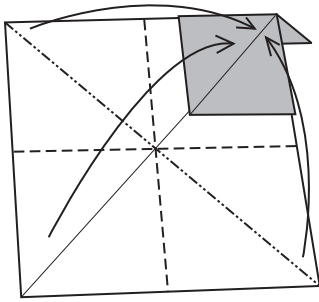
Rabbit-ear

22



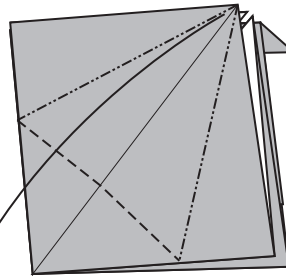
Fold and unfold. **Turn over.**

23



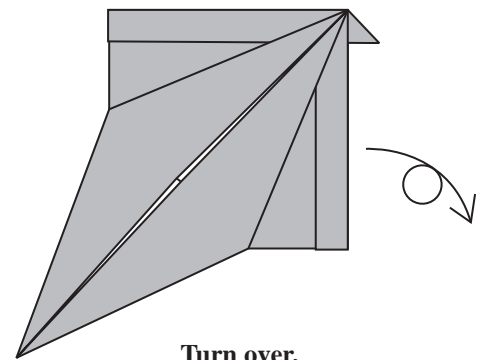
Fold a Square Base.

24



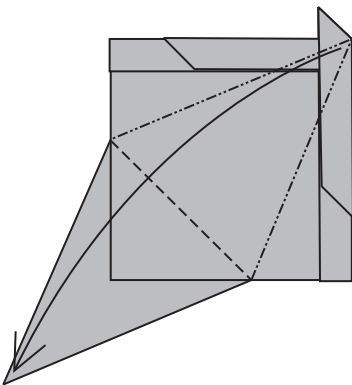
Petal-fold.

25



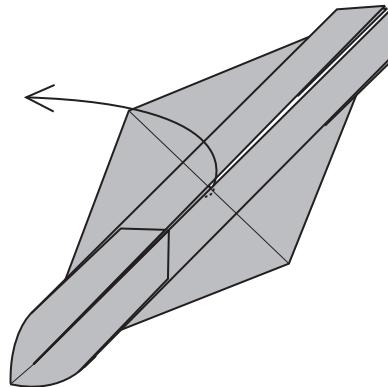
**Turn over.**

26



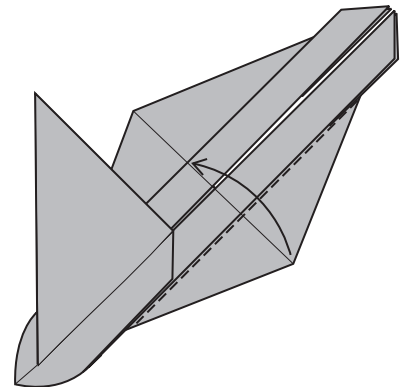
Petal-fold. Let the tip of the petal stick out.

27



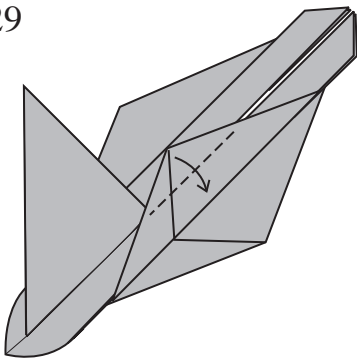
Pull out the trapped flap.

28



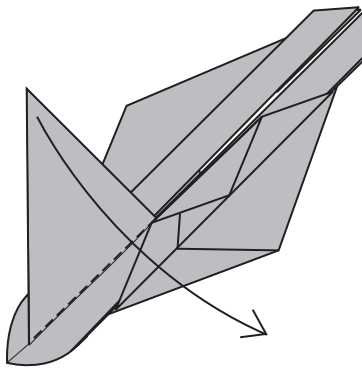
Valley-fold the near flap only.

29



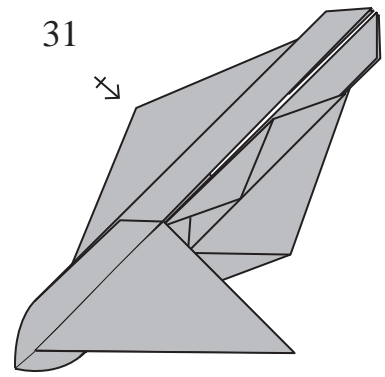
Valley-fold.

30



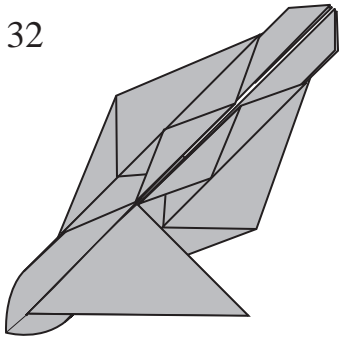
Valley-fold.

31



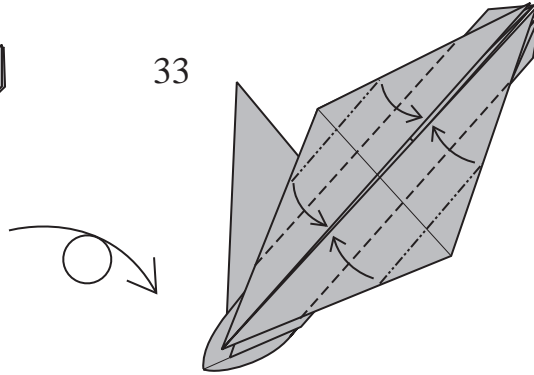
Repeat steps 28-29 on the other side.

32



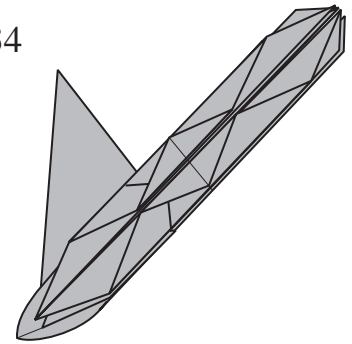
Turn over.

33



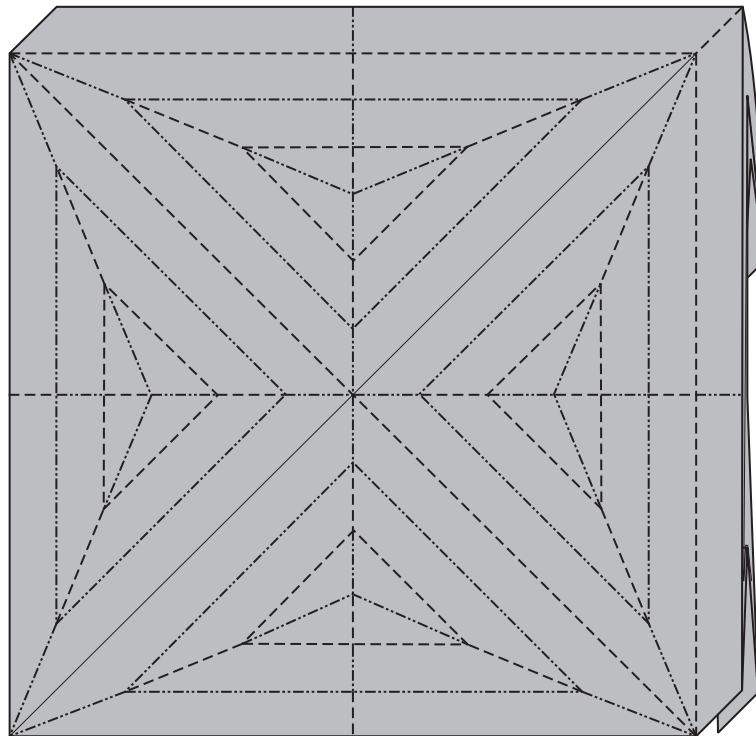
Pleat.

34



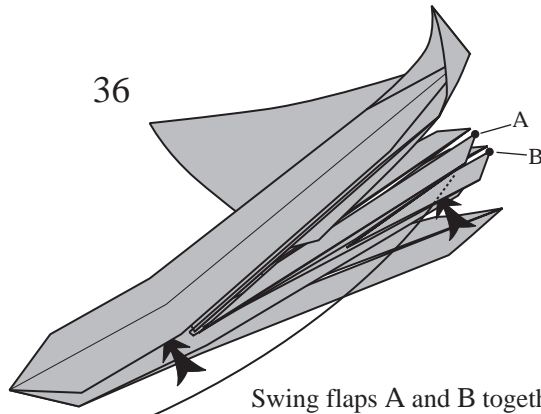
Captain's orders: Unfold the model to step 21.

35



Pleat-sink on the indicated creases.

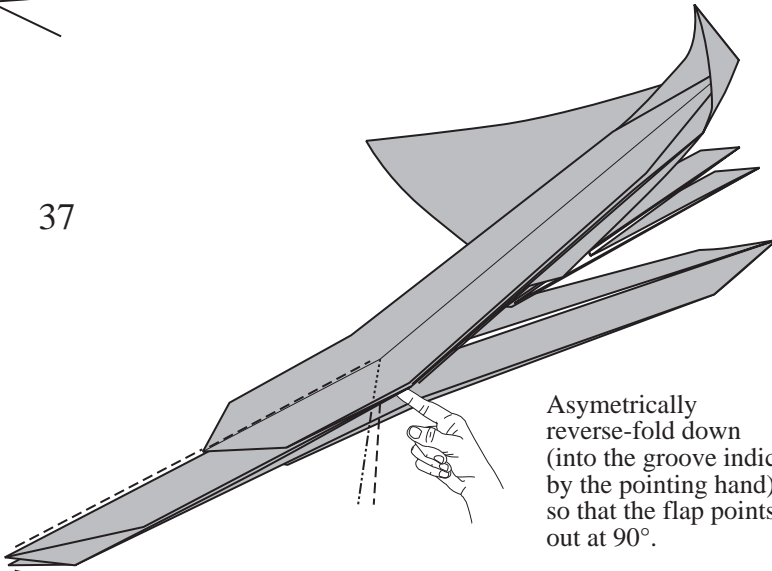
36



Swing flaps A and B together all the way to the left through the slot marked by the fat arrows. This is technically a 180° reverse fold.

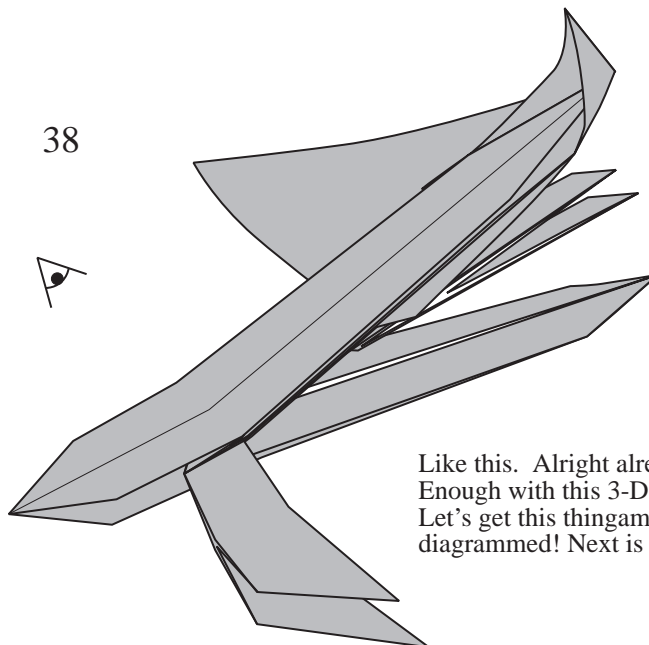


37



Asymmetrically reverse-fold down (into the groove indicated by the pointing hand) so that the flap points out at 90°.

38

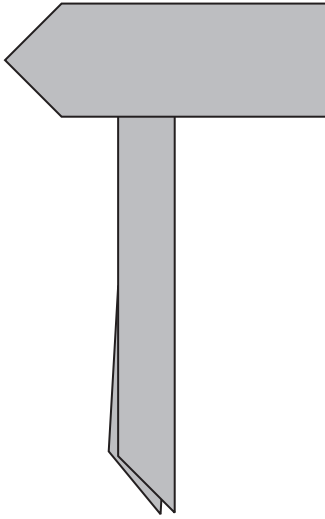


Like this. Alright already!  
Enough with this 3-D...  
Let's get this thingamajig  
diagrammed! Next is a top view.

### Thoughts Behind the Folds

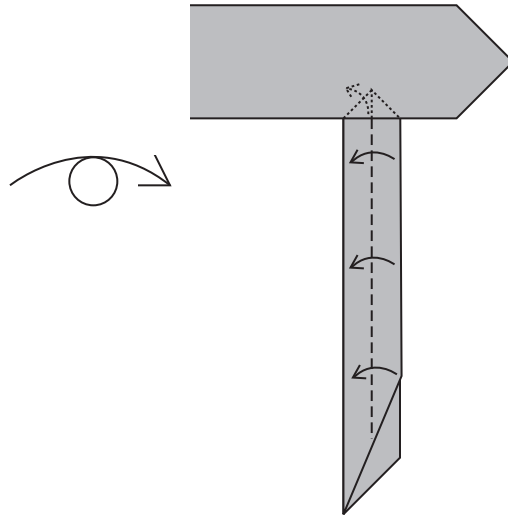
The idea to fold the Familiar Spaceship came from my neighbor, Jamie Rossman, who one day came over very excited. "Hey Jeremy, there's an ad in my Star Trek magazine from someone who will pay \$100 for diagrams of how to fold the Enterprise!" This was before I knew how to diagram, but I decided to take on the project nevertheless. It turned out to be much more difficult than I had anticipated and took me one month of head banging before I finally came up with a version I liked. Then I set out on the massive project of folding each intermediary step, which added up to 36 partially folded Enterprises, all for a measly \$100! Then, to add insult to injury, the guy never paid me! But the upshot is that this model has become one of my most popular designs, so I'm not bitter. **Challenge:** Design origami models of other familiar space ships. The Star Trek family alone should keep you busy, but dipping into science fiction, there's no limit to the number of foldable fantasy ships.

39



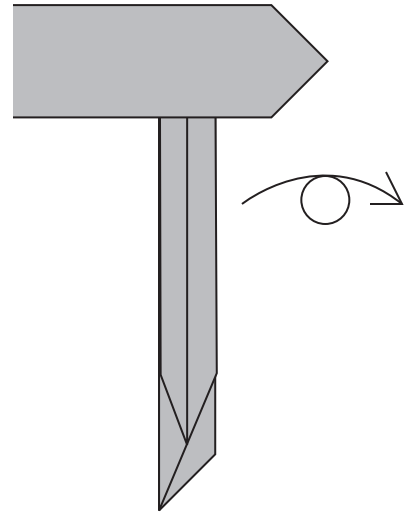
Turn it over, so we have a bottom view.

40



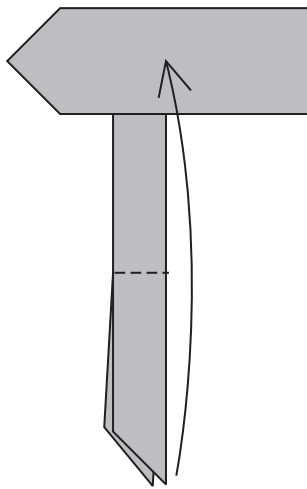
Working from the bottom, valley-fold the near layer. Then flatten at the top.

41



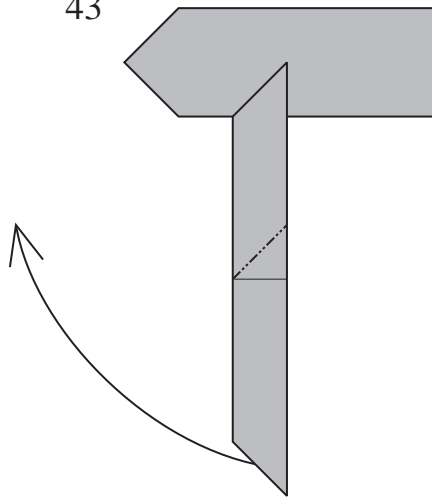
Turn it over, and we'll take it from the top again.

42



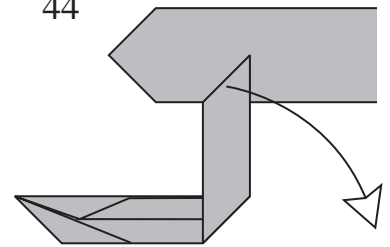
Valley-fold.

43



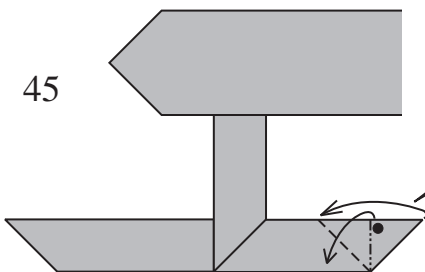
Mountain-fold the entire flap so that it turns 90°.

44

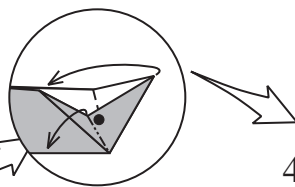


Swing the front flap down to the right.

45

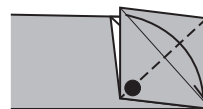


Squash-fold. Watch the black dot.



In progress.

46



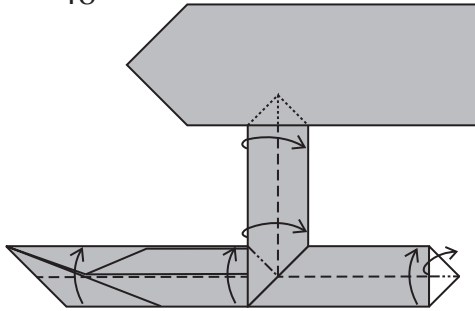
Valley-fold.

47



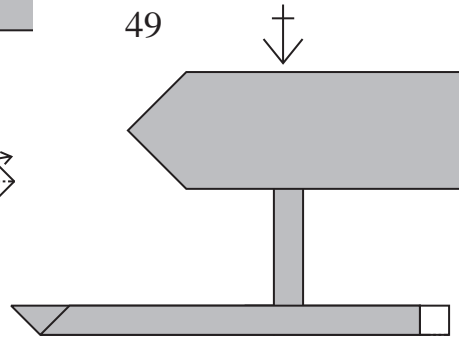
Pull the folded edge of the pocket to the right.

48



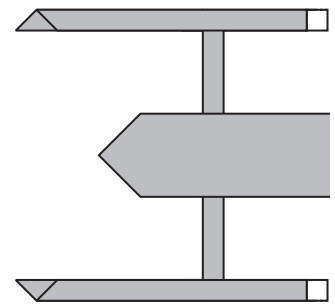
Thin everything out with valley folds, pulling the mountain fold to the right. Pull open the small white pocket. Flatten the model.

49



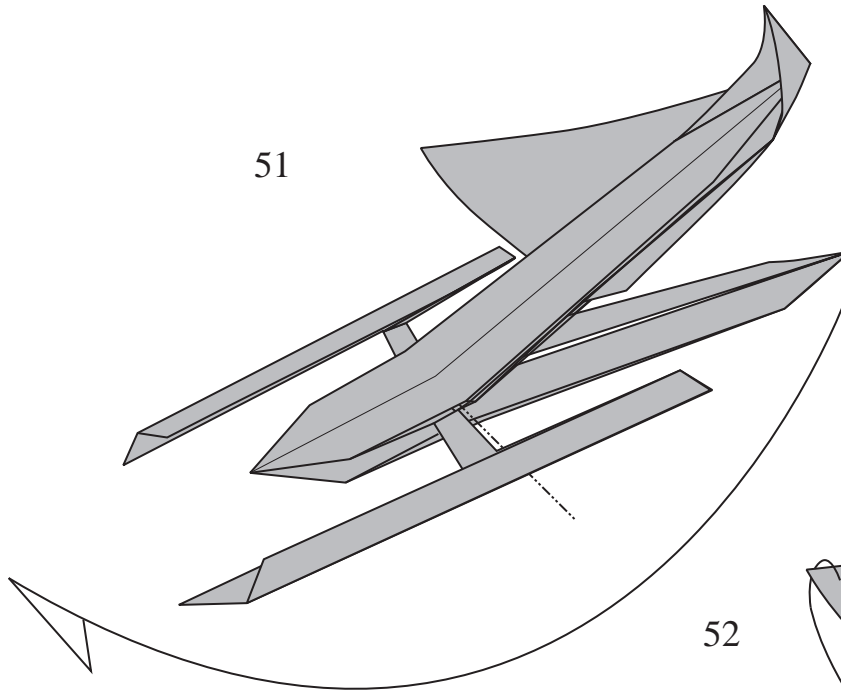
Gleefully repeat steps 36-48 on the other side.

50



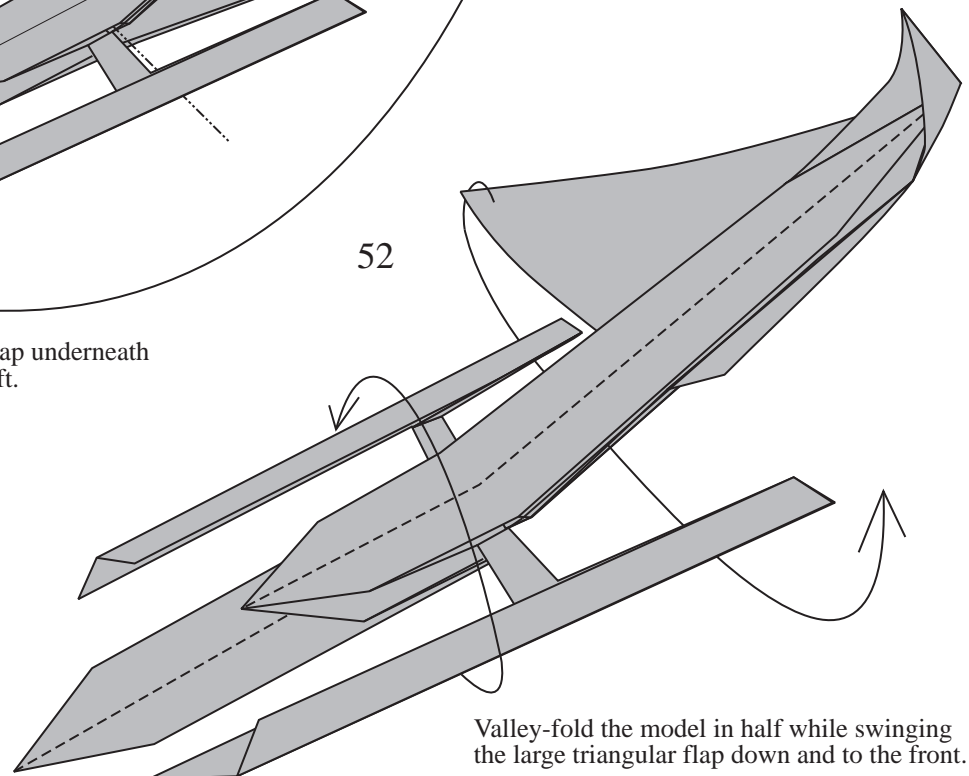
Like magic!

51



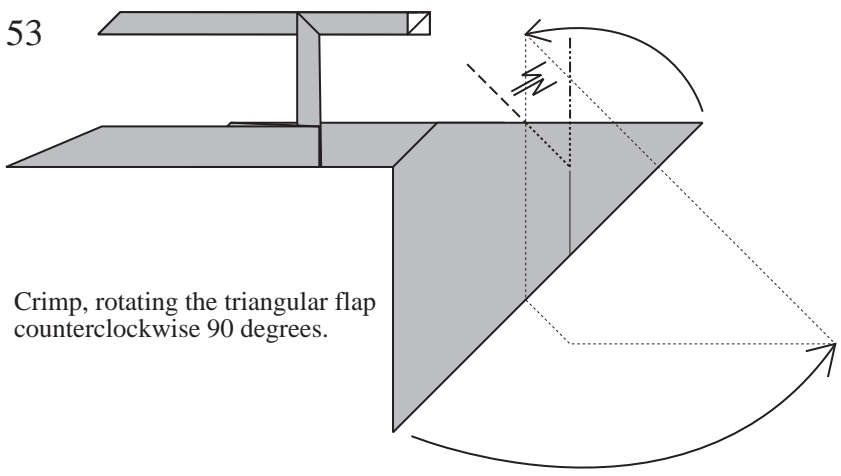
Swing the bottom flap underneath all the way to the left.

52



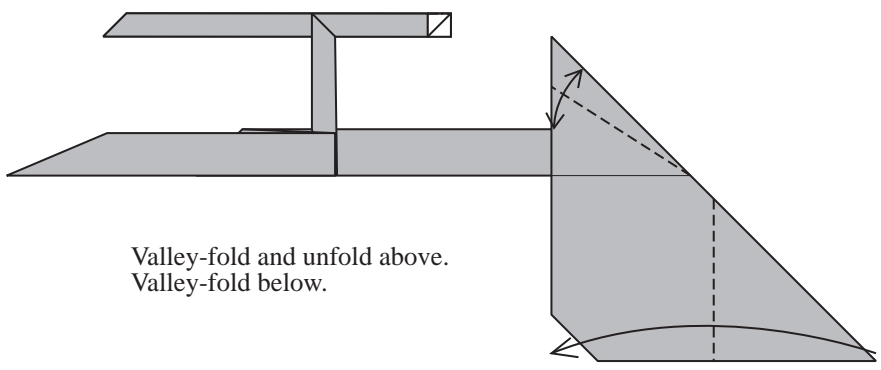
Valley-fold the model in half while swinging the large triangular flap down and to the front.

53



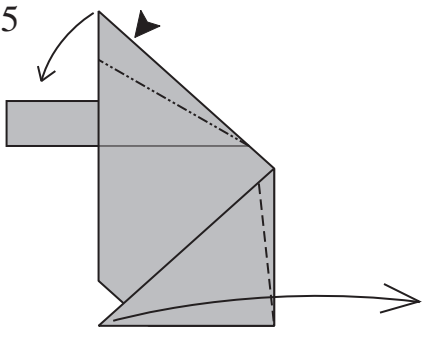
Crimp, rotating the triangular flap counterclockwise 90 degrees.

54



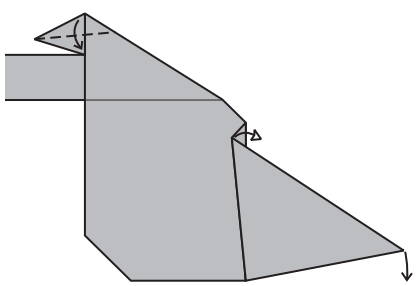
Valley-fold and unfold above.  
Valley-fold below.

55



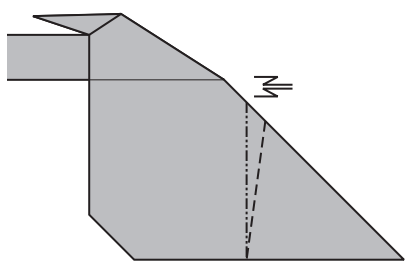
Reverse-fold above.  
Valley-fold below.

56



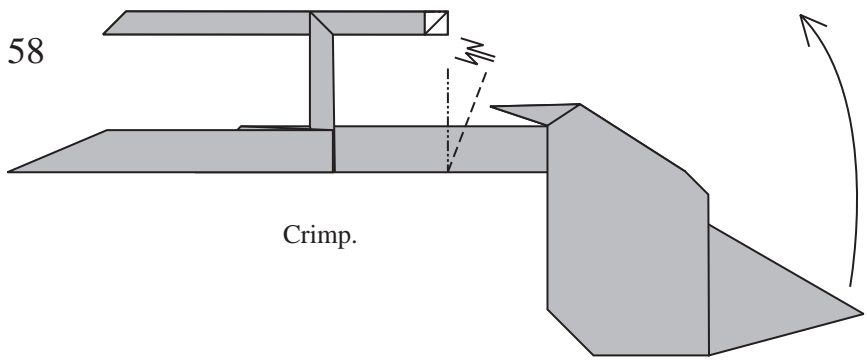
Valley-fold above.  
Repeat behind.  
Unfold below.

57



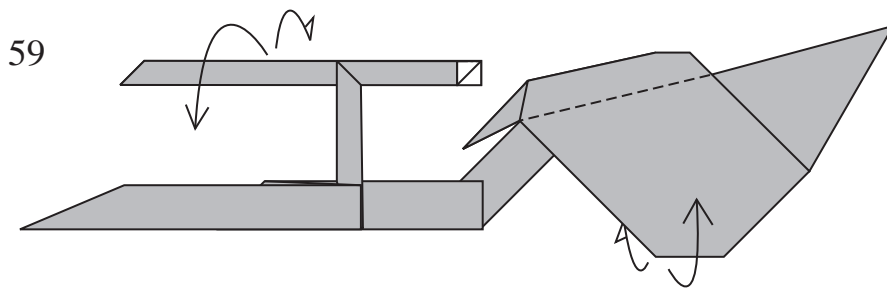
Crimp.

58

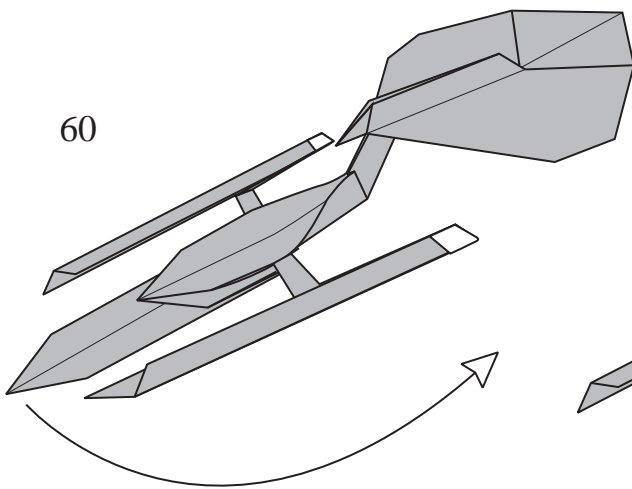


Crimp.

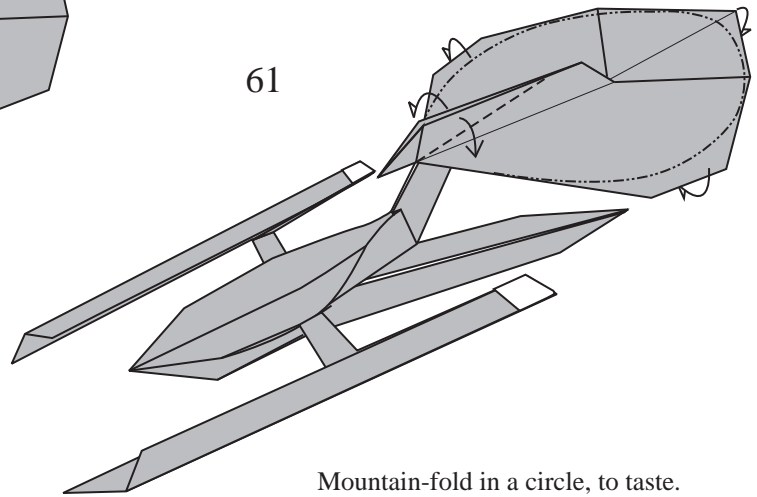




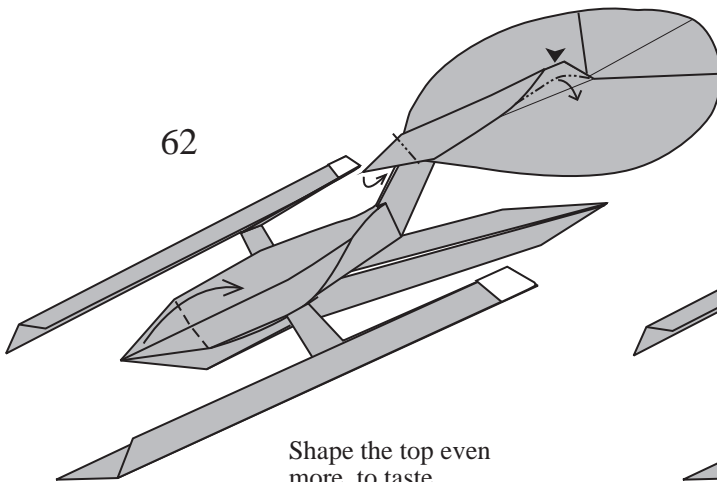
Open out.



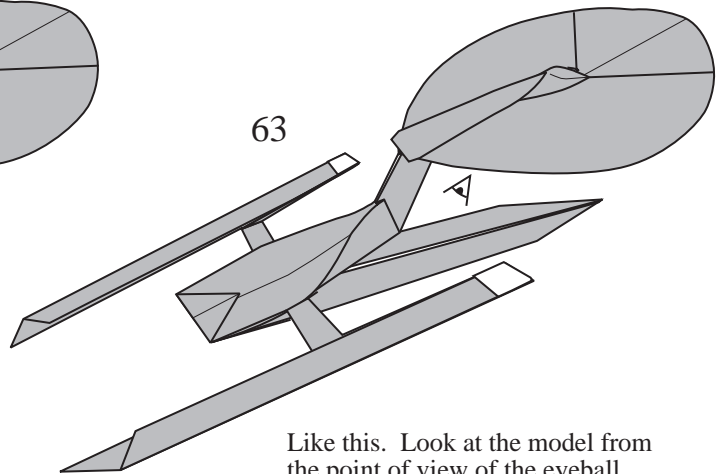
Swing the far left flap to the right.



Mountain-fold in a circle, to taste. Open out the top and flatten it.

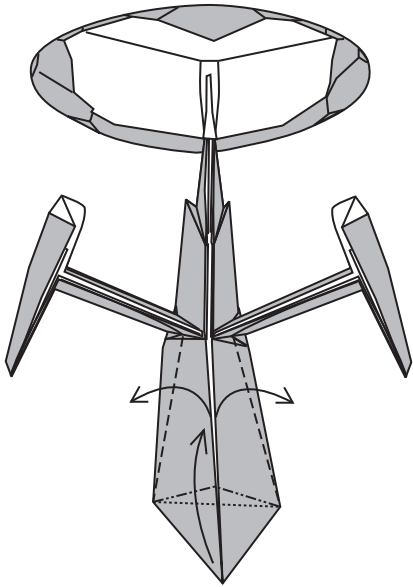


Shape the top even more, to taste.



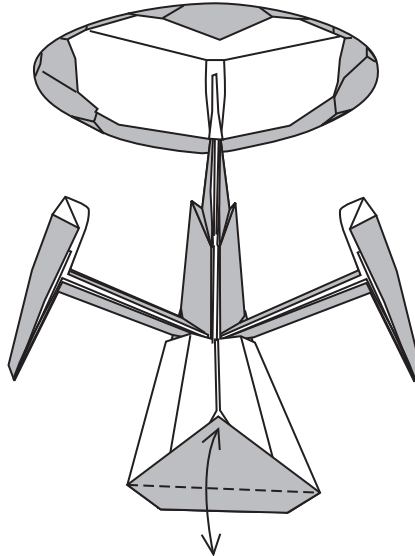
Like this. Look at the model from the point of view of the eyeball.

64



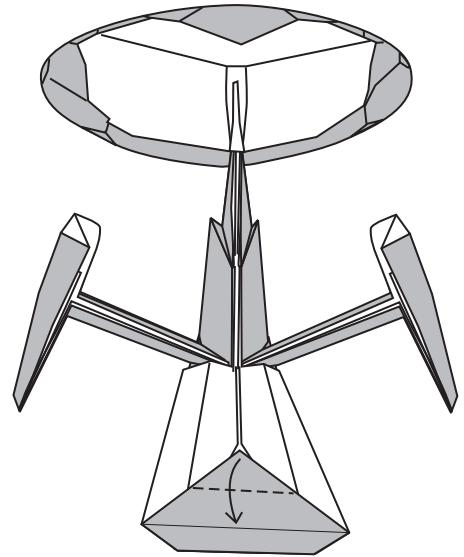
Open out the central raw edges;  
then flatten the near tip as indicated.

65



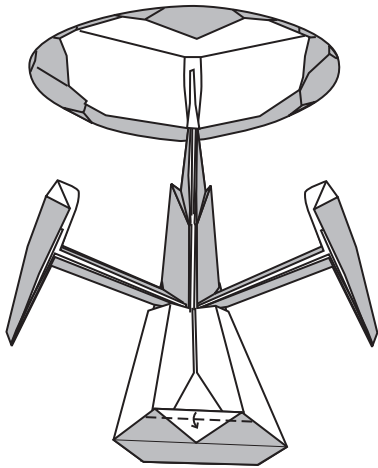
Valley-fold and unfold.

66



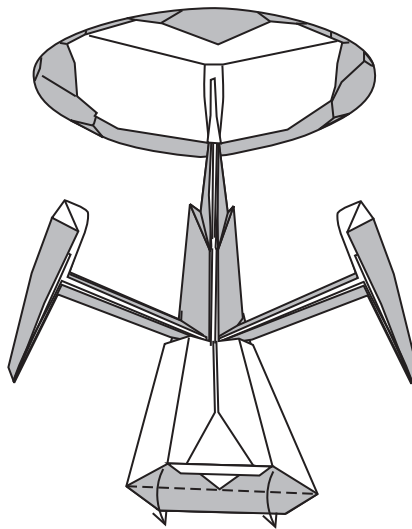
Valley-fold.

67



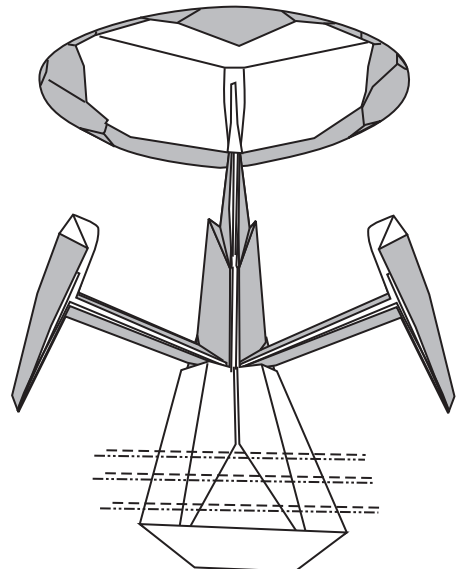
Valley-fold.

68

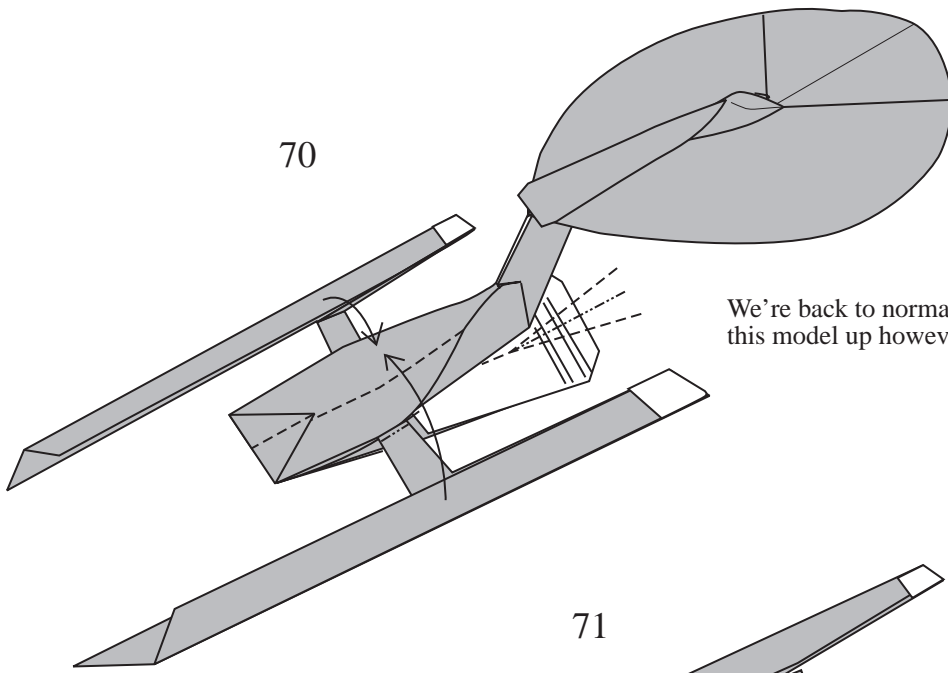


Valley-fold.

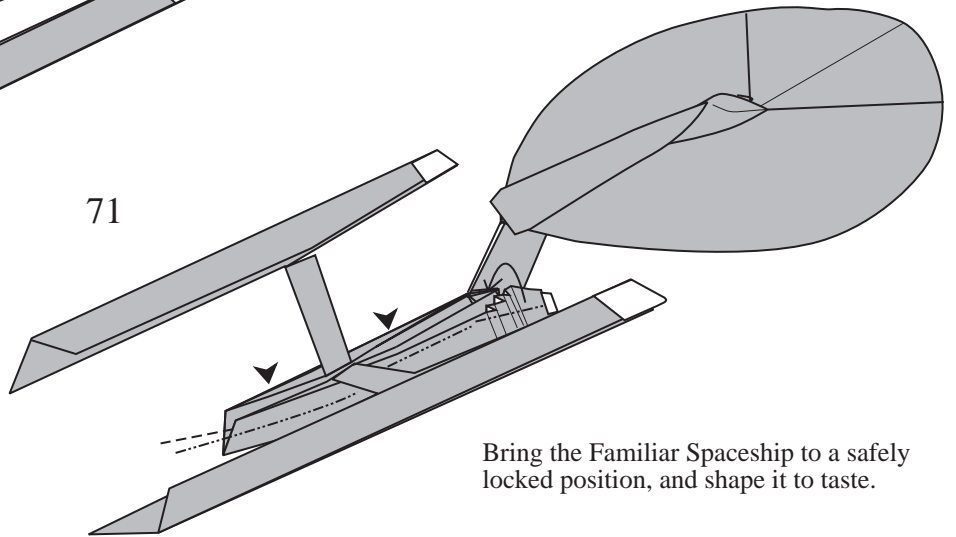
69



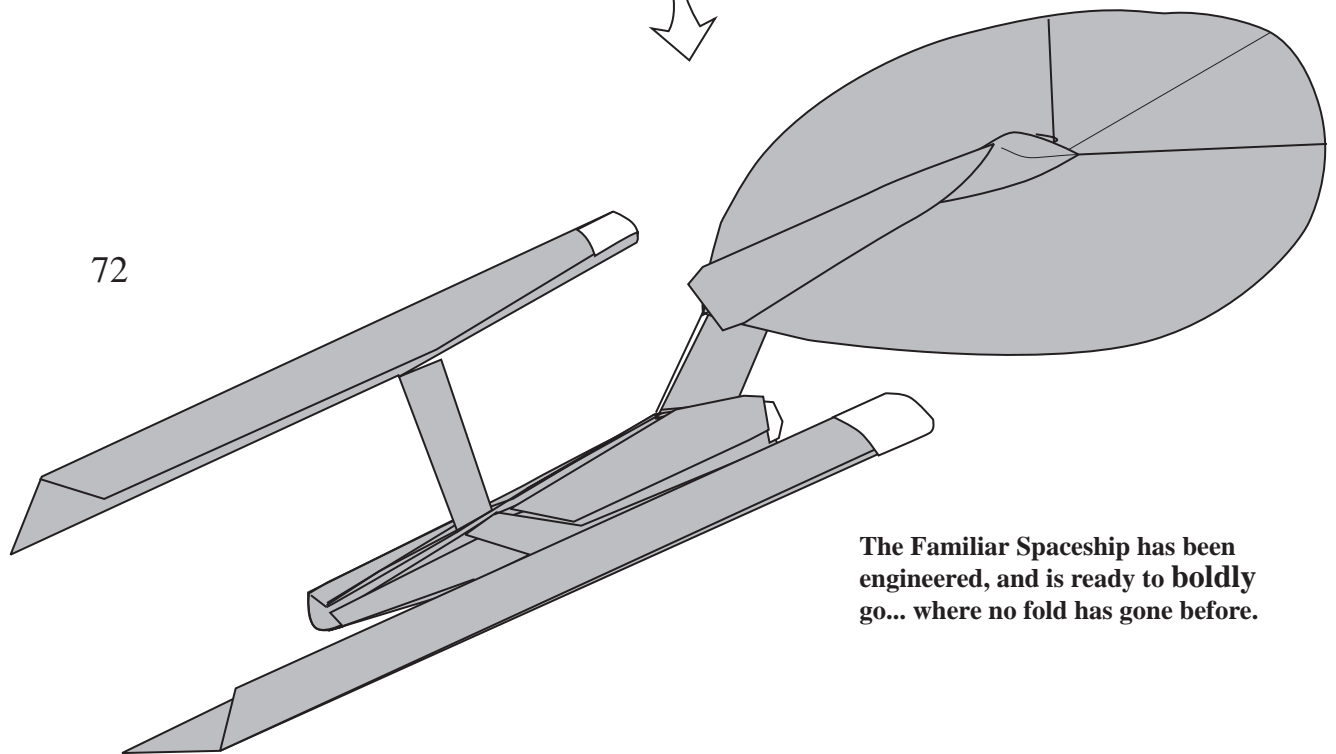
Pleat like crazy, to taste.



We're back to normal view. Start to wrap this model up however you see fit.



Bring the Familiar Spaceship to a safely locked position, and shape it to taste.



The Familiar Spaceship has been engineered, and is ready to **boldly** go... where no fold has gone before.